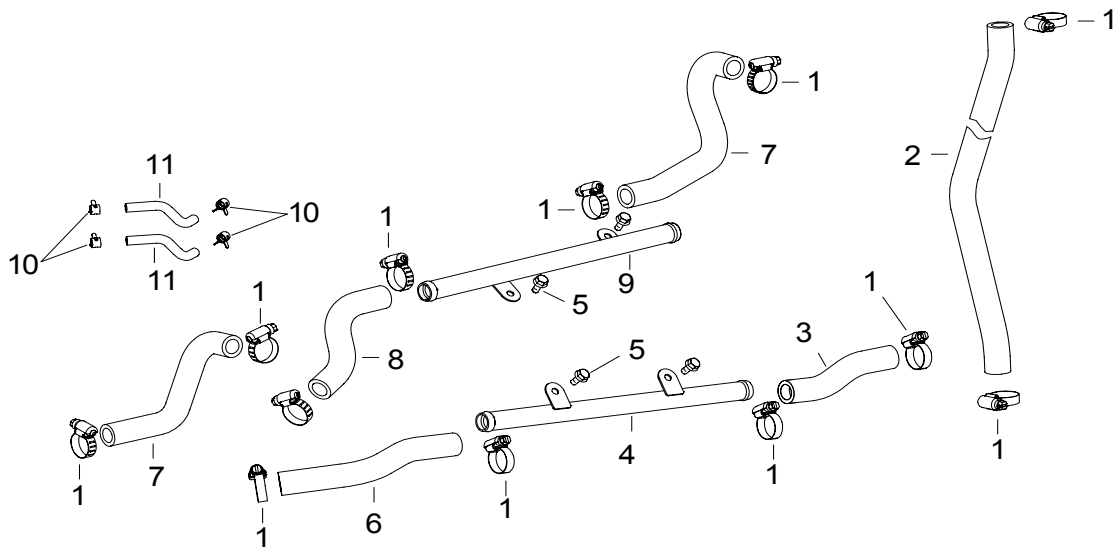
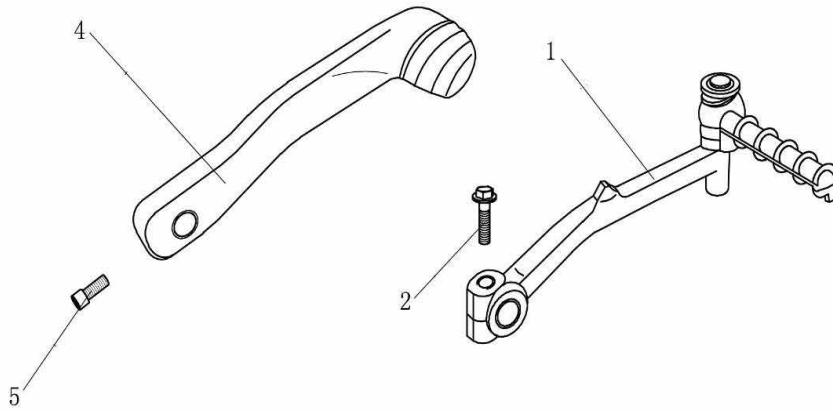


Ref No	Part No	Part No.2	Description	Qty
1	9105-M6*25-A		BOLT M6×25	2
2	QB7-58200-0000		RADIATOR	1
3	QBY-410F0-0000		RADIATOR HOLDER	1
4	9111- M6*16*3-A		STEP BOLT M6*16*3	2
5	QB7-58100-0000		LID RADIATOR	1
6	QB7-58010-0000		WATER FILLER	1
7	9105-M6*12-A		BOLT M6×12	3
8	9504-6*9-C		CLAMP,HOSE(9)	2
9	QB7-58002-0000		HOSE,WATER	1
10	9319-6*18*1.6-A3H		WASHER SPRING 6	2
11	9105-M6*16-A		BOLT M6×16	2
12	QB7-58003-0000	TBFF1302	LID TK,RADIATOR RESERVE	1
13	QBK-33300-0000	TBFF1304	OIL LEVER GAUGE ASSY.	1
14	QBY-410C0-0000		TANK,RADIATOR RESERVE HOLDER	1
15	QB7-5800A-0000	QBQ-44210-0000	TANK,RADIATOR RESERVE	1



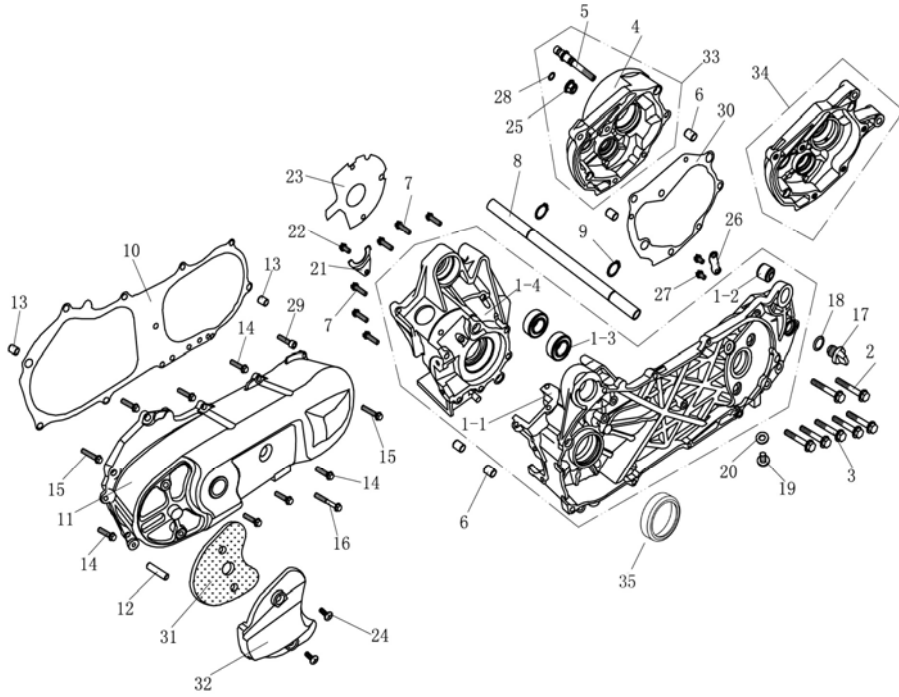
□□	□□	Part No.2	□□□□	□□
Ref No	Part No		Description	Qty
1	9505-9*25-B		CLAMP,HOSE(16-25)	12
2	QBY-58001-0000		HOSE,WATER	1
3	QB7-58006-0000		HOSE,WATER	1
4	QB7-58020-0000		STEEL TUBE, WATER	1
5	9105-M6*12-A		BOLT M6×12	4
6	QB7-58007-0000		HOSE,WATER	1
7	QB7-58009-0000		HOSE,WATER	2
8	QB7-58008-0000		HOSE,WATER	1
9	QB7-58030-0000		STEEL TUBE, WATER	1

ENGINE ATTACHMENT



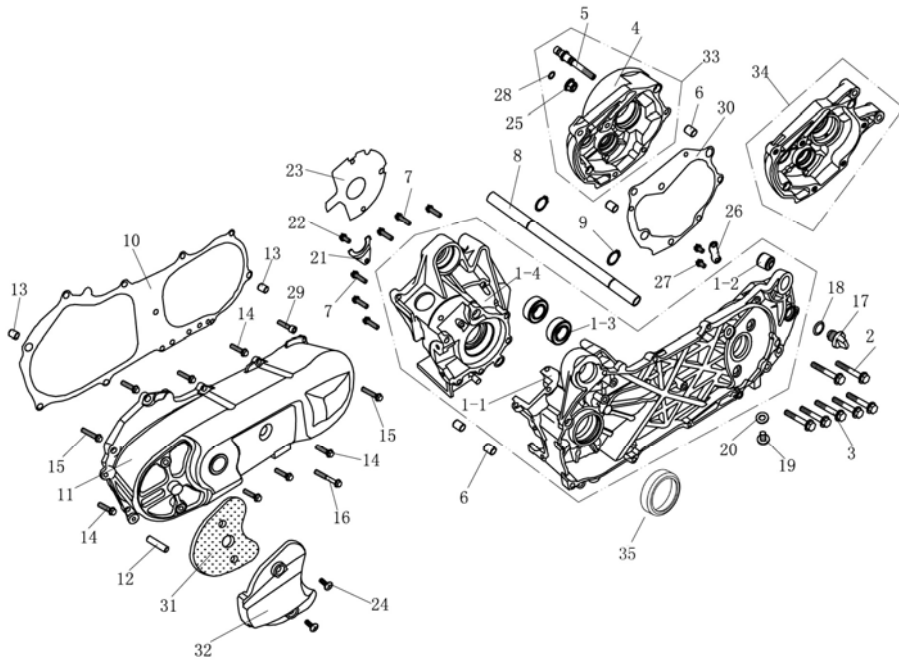
□□	□□	Part No.2	□□□□	□□
Ref No	Part No		Description	Qty
1	1B1-17100-000E	YYGY0501013	STARTING SHAFT,Cr	1
2	9105-M6*25-E		BOLT M6×25	1
4	1B1-17101-0000	TBFF2601	STARTING SHAFT,AL	1
4	1B1-17101-0028		STARTING SHAFT,AL,BL	1
4	1B1-17101-0022		STARTING SHAFT,AL,WH	1
5	9151-M6*25-E		SCREW M6×25	1

10 CRANK CASE



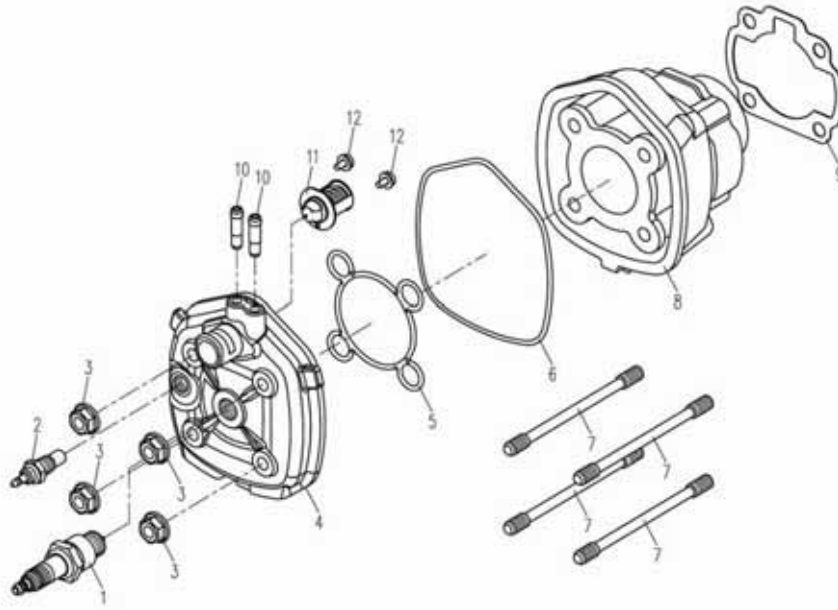
Ref No	Part No	Part No.2	Description	Qty
1	TBFE0101	TBFE0101	CRANKCASE ASSY	1
1-1	1B1-11001-0000	TBFE0131	CRANKCASE,LH	1
1-2	1B1-11011-0000	TBFE0132	GROMMET	1
1-3	9701-6003-2RS	TBFE0133	BEARING	2
1-4	5B1-11002-0000	TBFE0134	CRANKCASE,RH	1
2	9105-M8*55-E	TBFE0102	SCREW M8X55	2
3	9105-M8*50-E	TBFE0103	SCREW M8X50	5
4	1B1-11003-0000	TBFE0104	MISSION CASE	1
5	1B1-11005-0000	TBFE0105	BRAKE SHOE ANCHOR PIN ASSY	1
6	9402-12*16	TBFE0106	DOWEL PIN	4
7	9103-M6*35-C	TBFE0107	SCREW M6*35	6
8	1B1-27001-200C	TBFE0108	AXLE, ENGINE MOUNT	1
9	9312-17-F	TBFE0109	CIRCLIP	2
10	1B1-09002-0000	TBFE0110	GASKET,L CRANKCASE	1
11	1B1-09001-0000		L CRANKCASE COVER	1
11	1B1-09001-0028		L CRANKCASE COVER□BL	1
11	1B1-09001-0022	TBFE0111	L CRANKCASE COVER□WH	1
12	1B1-09003-0000	TBFE0112	IDLE GEAR	1
13	9402-10*14	TBFE0113	DOWEL PIN	2
14	9103-M6*25-E	TBFE0114	SCREW M6*25	7
15	9103-M6*35-E	TBFE0115	SCREW M6*35	2
16	9103-M6*65-E	TBFE0116	SCREW M6*65	1
17	1B1-11006-0000	TBFE0117	OIL PLUG	1
18	9601-14*2.65-NB	TBFE0118	O RING	1

10 CRANK CASE



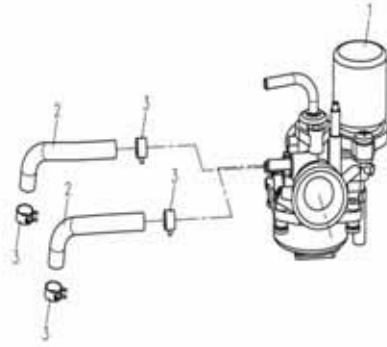
Ref No	Part No	Part No.2	Description	Qty
19	9105-M8*16-C	TBFE0119	FLANGE BOLT M8x16	1
20	9301-8*17.5*2-CU	TBFE0120	PLATE WASHER	1
21	1B1-11007-000H	TBFE0121	OIL SEAL HOLDER	1
22	9103-M6*12-A	TBFE0122	SCREW M6×12	1
23	1B1-11008-0000	TBFE0123	GASKET	1
24	9147-M6*20-E	TBFE0124	PAN HEAD SCREW M6x20	2
25	9213-M8-C	TBFE0125	NUT M8	1
26	1B1-11009-000H	TBFE0126	PLATE WASHER	1
27	9103-M6*12-A	TBFE0127	BOLT M6×12	2
28	9601-6.8*1.9-NB	TBFE0128	O-RING 6,8x1,9	1
29	9151-M6*25-E	TBFE0129	SCREW M6×25	1
30	1B1-11012-0000	TBFE0130	MISSION CASE GASKET	1
31	1B1-09004-0000	TBFE01311	FILTER	1
32	1B1-09005-0000	TBFE01321	COVER BOARD	1
32	1B1-09005-0028		COVER BOARD□BL	1
32	1B1-09005-0022		COVER BOARD□WH	1
33		TBFE0137	MISSION CASE ASSY.,MODEL 1	1
34	1B1-11003-1000	TBFE0138	MISSION CASE ASSY.,MODEL 2	1
35	1B1-11004-0000		BOSS,GEAR	1

YLINDER HEAD ASSY



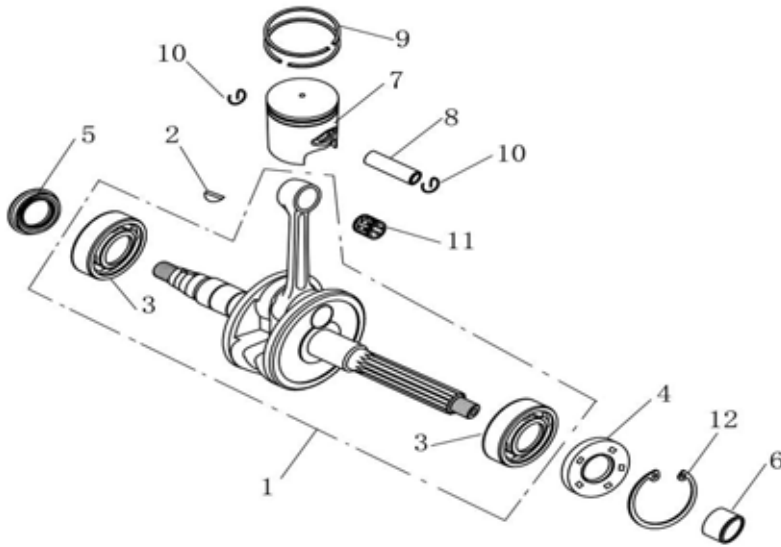
□□	□□		□□□□	□□
Ref No	Part No	Part No.2	Description	Qty
1	1B1-02100-0000	TBFE0203	SPARK PLUG(NGK BPR7HS)	1
2	5B1-02300-0000		WATER TEMPERATURE SENSOR	1
3	9202-M7*1-C		NUT M7	4
4	5B1-02001-0000		CYLINDER HEAD	1
5	5B1-02002-0000		GASKET,HEAD COVER1	1
6	5B1-02003-0000		GASKET,HEAD COVER2	1
7	1B1-11013-000C		STUD BOLT M7×112	4
8	5B1-05001-0000		CYLINDER	1
9	1B1-05002-0000		GASKET,CYLINDER	1
10	5B1-02004-0000		WATER PIPE JOINT	2
11	5B1-02200-0000		THERMOSTAT ASSY.	1
12	9860-M4*8-B		SCREW,BING M4x8	2

□□ CARBURETOR



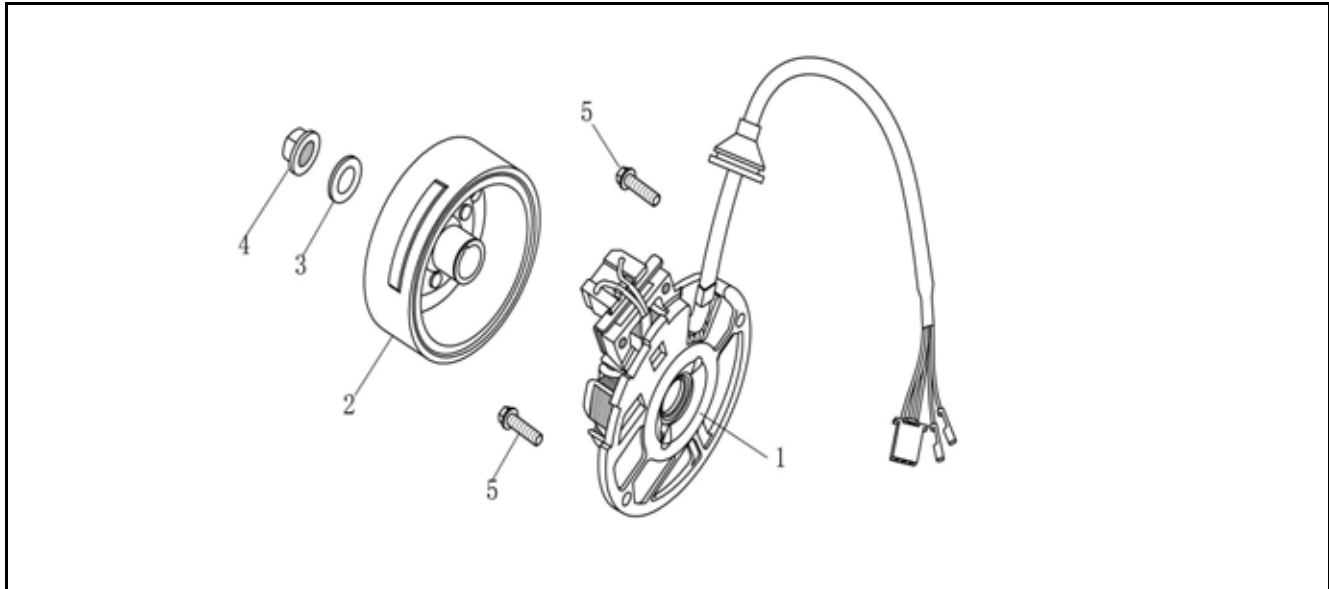
□□	□□		□□□□	□□
Ref No	Part No	Part No.2	Description	Qty
1	5B1-23000-0000		CARBURETOR ASSY.	1
2	5B1-23001-0000		PIPE	2
3	9504-6*9-C		CLAMP,HOSE(9)	4

CRANK SHAFT PISTON



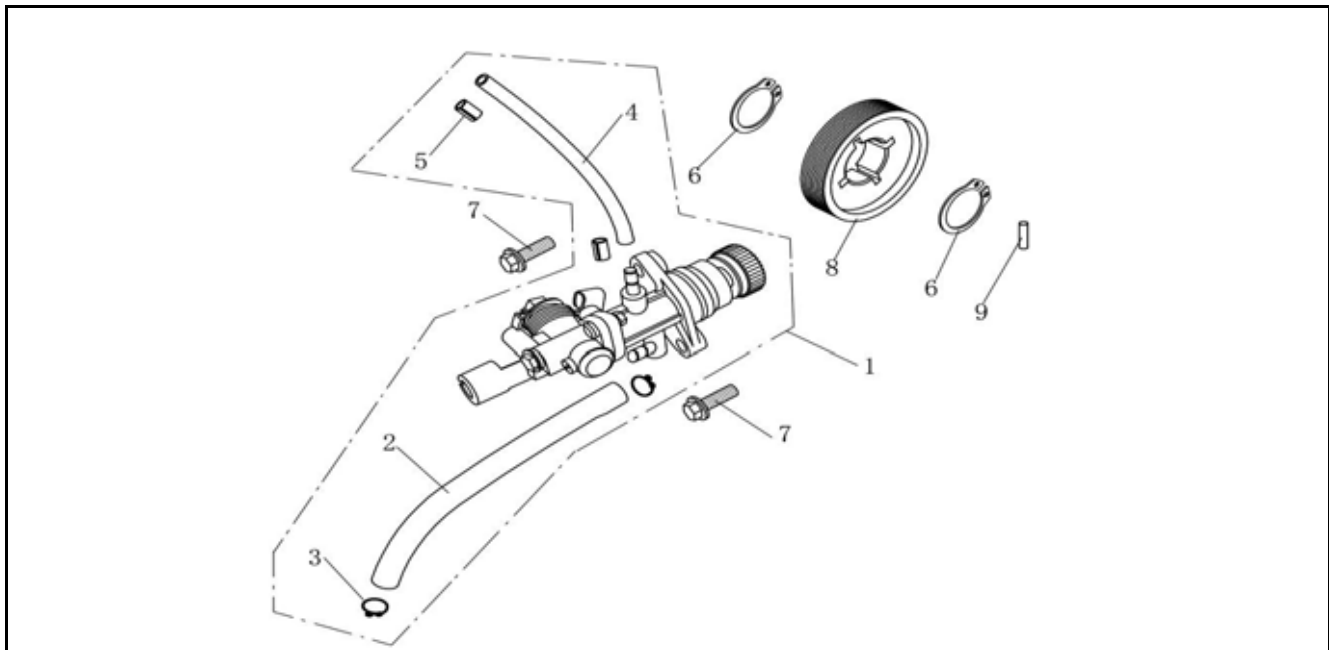
Ref No	Part No	Part No.2	Description	Qty
1	1B1-06200-0000	TBFE0401	CRANKCHAFT□ASSY.	1
2	1B1-06004-0000	YYGY0500908-2T	WOODRUFF KEY 3x5x13	1
3	9701-6204/P53	TBFE0403	NEEDLE BEATRING 6204/P53	2
4	9602-FB20*42*8-NB	TBFE0404	OIL SEAL 20x42x8	1
5	9602-FB20*30*6.2-NB	TBFE0405	OIL SEAL ASSY. 20x30x6,2	1
6	1B1-18208-0000	TBFE0406	COLLAR	1
7	1B1-06100-0000	TBFE0407	PISTON ASSY.	1
8	1B1-06002-0000	TBFE0408	PISTON PIN	1
9	1B1-06001-0000	TBFE0409	PISTON RING ASSY.	2
10	1B1-06003-0000	TBFE0410	CIRCLIP	2
11	9704-K10*14*13	TBFE0411	NEEDLE BEARING K10x14x13	1
12	9315-42-F	TBFE0412	CIRCLIP	1
	9301-16*21*1-C		PLATE WASHER 16x21x1	1

□□ MAGNETO ASSY



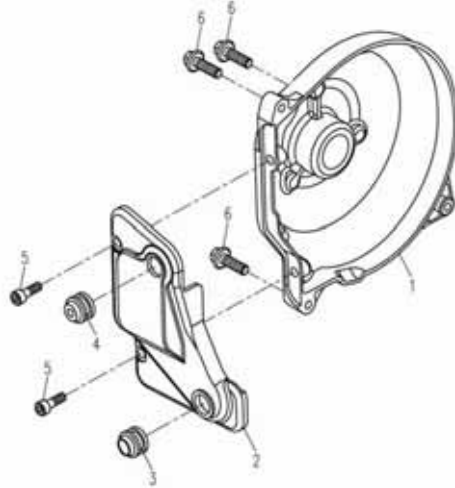
□□	□□	□□□□	□□
Ref No	Part No	Part No.2	Description
1	1B1-19100-1000	TBFE0501	STATOR ASSY.8
2	1B1-19200-1000	TBFE0502	ROTOR ASSY.8
3	9301-12*24*2-C		WASHER 12-140HV
4	9203-M12*1.25-C	TBFE0504	NUT M12×1.25
5	9103-M6*14-A		SCREW M6×14

□□ OIL PUMP ASSY



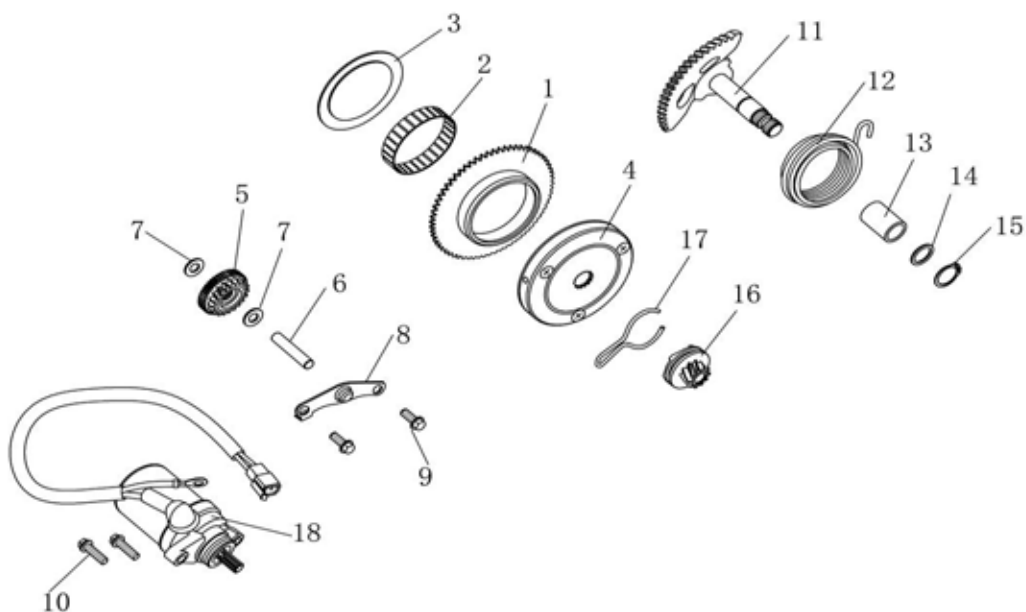
□□	□□	□□□□	□□□□	□□
Ref No	Part No	Part No.2	Description	Qty
1	1B1-08100-2000	TBFE0601A	OIL PUMP ASSY.□2□	1
2	1B1-08101-0000		HOSE	1
3	9503-1*8-E		HOSE CLIP	2
4	1B1-08102-0000		HOSE	1
5	9503-0.8*5-E		HOSE CLIP	2
6	9312-19-F	TBFE0606	CIRCLIP	2
7	9860-M5*16-D		SCREW M5×16	2
8	1B1-08001-0000	TBFE0608	PUMP DRIVE GEAR	1
9	1B1-08002-0000	TBFE0609	PIN Φ3×14	1

AIR COOLING SYSTEM



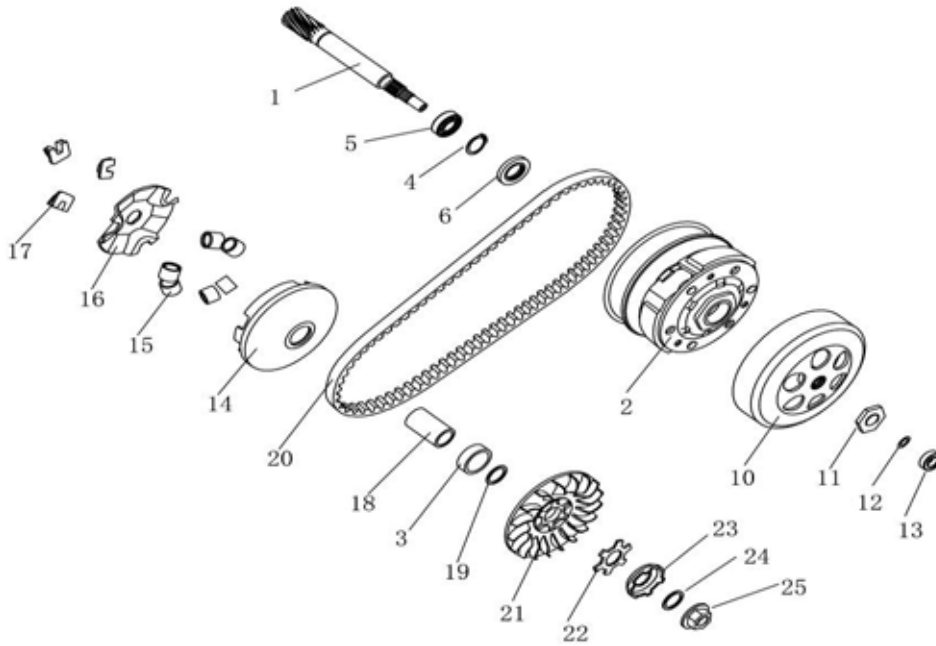
□□	□□		□□□□	□□
Ref No	Part No	Part No.2	Description	Qty
1	5B1-12001-0000		COVER,R	1
2	5B1-12002-0028		COVER,PUMP CASE	1
3	5B1-12003-0000		GROMMET A	1
4	5B1-12004-0000		GROMMET B	1
5	9151-M5*15-E		BOLT,SOCKET M5*15	2
6	9103-M6*20-E		BOLT,FLANGE M6*20	3

KICK STARTER ASSY



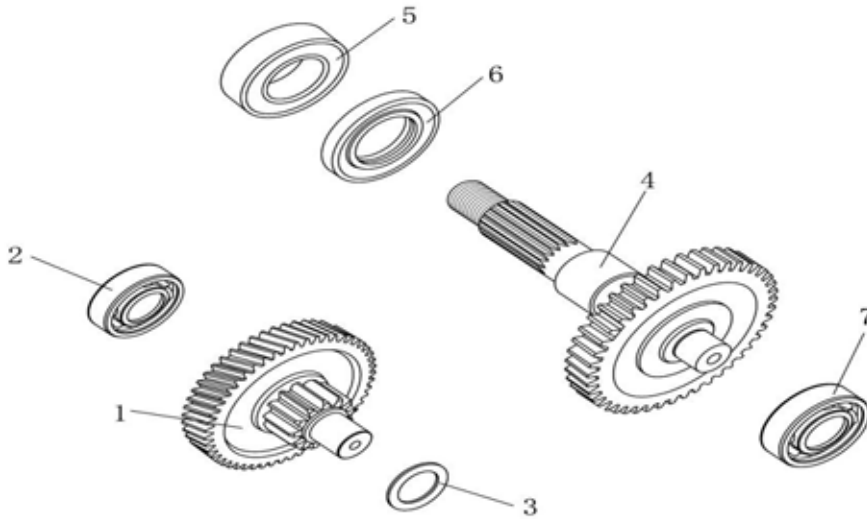
Ref No	Part No	Part No.2	Description	Qty
1	1B1-18207-0000	TBFE0801	START GEAR ASSY.	1
2	1B1-18209-0000	TBFE0802	NEEDLE BEARING 26400	1
3	9301-56*76*0.5-F	TBFE0803	THRUST WASHER 56x76x0,5	1
4	1B1-18200-0000	TBFE0804	START CLUTCH ASSY.	1
5	1B1-18300-0000	TBFE0805	IDLE GEAR	1
6	1B1-18001-0000	TBFE0806	IDLE GEAR SHAFT	1
7	9301-8*16*1.5-AL		PLATE WASHER 8x16x1,5	1
8	9301-8*16*2-C	TBFE0808	PLATE WASHER 8x16x2	1
9	1B1-18002-000C		IDLE GEAR HOLDER	1
10	9103-M6*12-A		BOLT M6*12	2
11	9151-M6*20-E	TBFE0811	SCREW M6*20	2
12	1B1-17200-0000	TBFE0812	SHAET, KICK STARTER	1
13	1B1-17001-0000	TBFE0813	SPRING	1
14	1B1-17002-0000	TBFE0814	BUSH	1
15	9301-15*28*1-F	TBFE0815	WASHER KICK STARTER 15x28x1-F	1
16	9312-15-F	TBFE0816	CIRCLIP 15	1
17	1B1-17300-0000	TBFE0817	KICK PINION ASSY.	1
18	1B1-17003-0000	TBFE0818	CLIP	1

1 □ CLUTCH ASSY

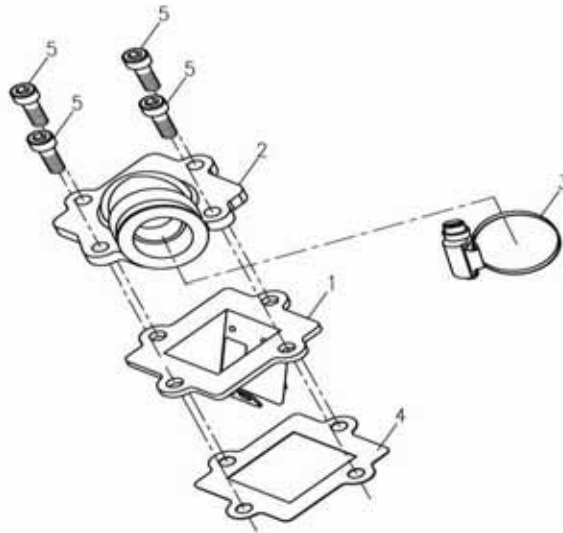


Ref No	Part No	Part No.2	Description	Qty
1	1B1-14001-0000	TBFE0901	PRIMARY DRIVE GEAR 13T	1
2	1B1-13400-0000	TBFE0902	DRIVEN PULLY and CLUTCH ASSY.	1
3	1B1-13002-0000	TBFE0903	WASHER	1
4	9312-17-F	TBFE0904	CIRCLIP	1
5	9701-6203	TBFE0905	ROLING BEARING 6203	1
6	9602-FB17*35*7-NB	TBFE0906	OIL SEAL 17x35x7	1
10	1B1-13300-0000	TBFE0910	HOUSING	1
11	9207-M10*1-B	TBFE0911	NUT M10×1	1
12	9601-6.7*3-NB	TBFE0912	O-RING 6.7x3	1
13	9701-638-Z	TBFE0913	BEARING 638Z	1
14	1B1-13110-0000	TBFE0914	FACE,MOVABLE DRIVE	1
15	1B1-13120-0000	TBFE0915	ROLLER	6
16	1B1-13101-0000	TBFE0916	PLATE,MOVABLE DRIVE	1
17	1B1-13102-0000	TBFE0917	DAMPER	3
18	1B1-13103-0000	TBFE0918	COLLER	1
19		TBFE0919		
20	1B1-13200-0000	TBFE0920	V BELT □ DRIVE	1
21	1B1-13104-0000	TBFE0921	FACE □ FIXED DRIVE	1
22	1B1-13105-0000	TBFE0922	PLATE □ WOODRUFF KEY	1
23	1B1-13001-0000	TBFE0923	STARTING DISC	1
24	9305-10*24*2-F	TBFE0924	WASHER □ SPRING 10x24x2	1
25	9203-M10*1.25-C	TBFE0925	NUT M10×1.25	1

ANSMISSION SYSTEM ASSY

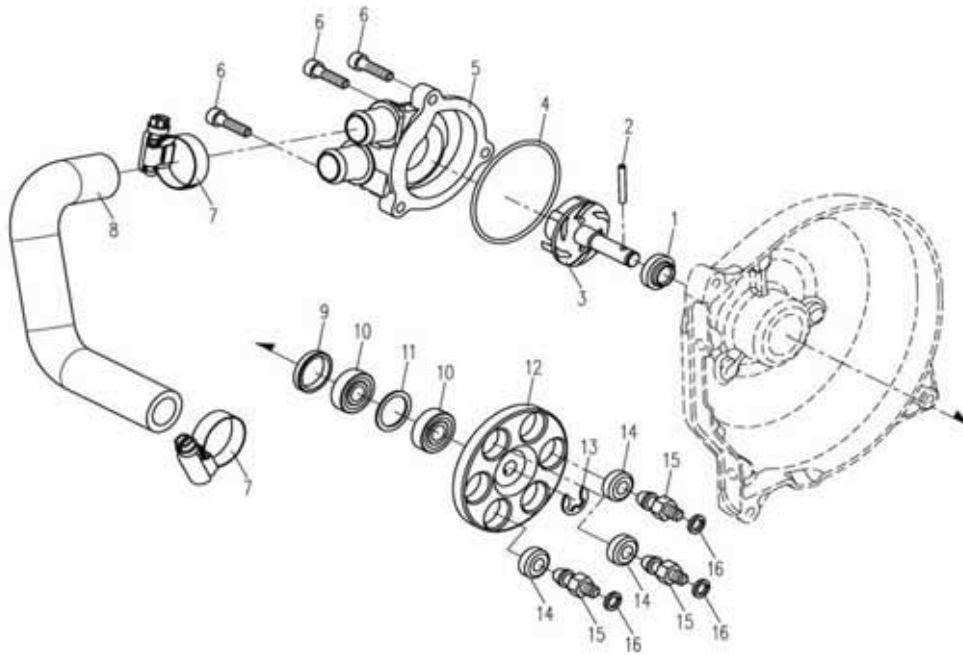


□□	□□		□□□□	□□
Ref No	Part No	Part No.2	Description	Qty
1	1B1-14100-0000		SHAFT□IDLE 13T/52T	1
2	9701-6200/P6	TBFE1002	BEARING 6200 P6	1
3	9301-14*20*0.8-F		WASHER□CONICAL 14x20x0,8	1
4	1B1-14200-0000		SHAFT□REAR BOKSZ 44T	1
4	1B1-14200-1000		SHAFT□REAR BOKSZ 44T	1
5	9701-6004-2RS	TBFE1005	NEEDLE BEARING 6004	1
6	9602-FB25*44*7-NB	TBFE1006	OIL SEAL 25x44x7	1
7	9701-6202/P6	TBFE1007	NEEDLE BEARING 6202/P6	1
□ REED VALVE ASSY				



□□	□□		□□□□	□□
Ref No	Part No	Chinese	Description	Qty
1	1B1-22100-0000	TBFE1101	REED VALVE ASSY	1
2	1B1-22200-0000	TBFE1102	MANIFOLD,INTAKE	1
3	1B1-22001-0000		HOSE CLAMP ASSY	1
4	1B1-22002-0000	TBFE1106	GASKET,VALVE SEAT	1
5	9151-M6*20-E		BOLT,SOCKET M6*20	4

WATER PUMP ASSY.



Ref No	Part No	Part No.2	Description	Qty
1	9602-FB10*18*5-VI		WATER SEAL 10x18x5	1
2	5B1-07002-000E		PIN,DOWEL Φ3×22	1
3	5B1-07100-0000		IMPELLER SHAFT ASSY	1
4	9601-54*1.7-NB		O-RING 54x1,7	1
5	5B1-07001-0000		COVER,HOUSING	1
6	9151-M5*20-E		BOLT,SOCKET M5*20	3
7	9505-9*25-B		HOSE CLAMP ASSY 16-25	2
8	QBM-58013-0000		HOSE,WATER	1
9	5B1-07006-000C		COLLAR	1
10	9701-608-2RS		BEARING 608-2RS	2
11	5B1-07007-0000		WASHER	1
12	5B1-07003-0000		GEAR,IMPELLER SHAFT	1
13	9311-7-F		CIRCLIP	1
14	5B1-07004-0000		GROMMET	3
15	5B1-07005-000C		BOLT	3
16	9304-6-C		SPRING WASHER	3