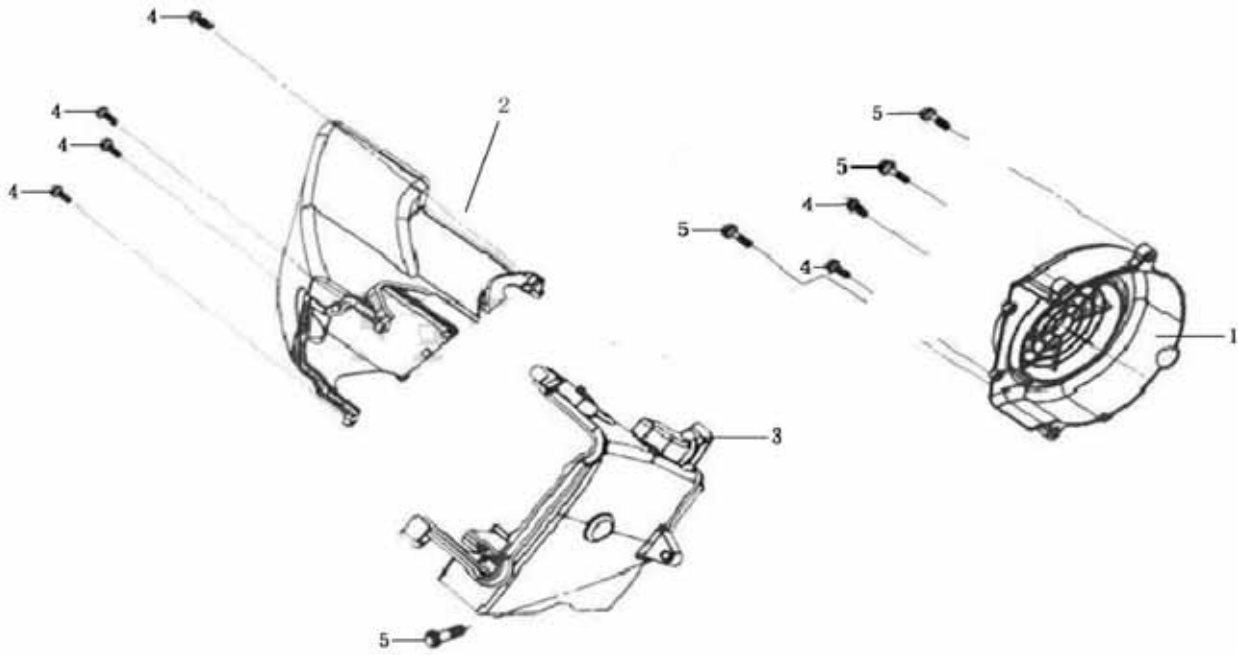
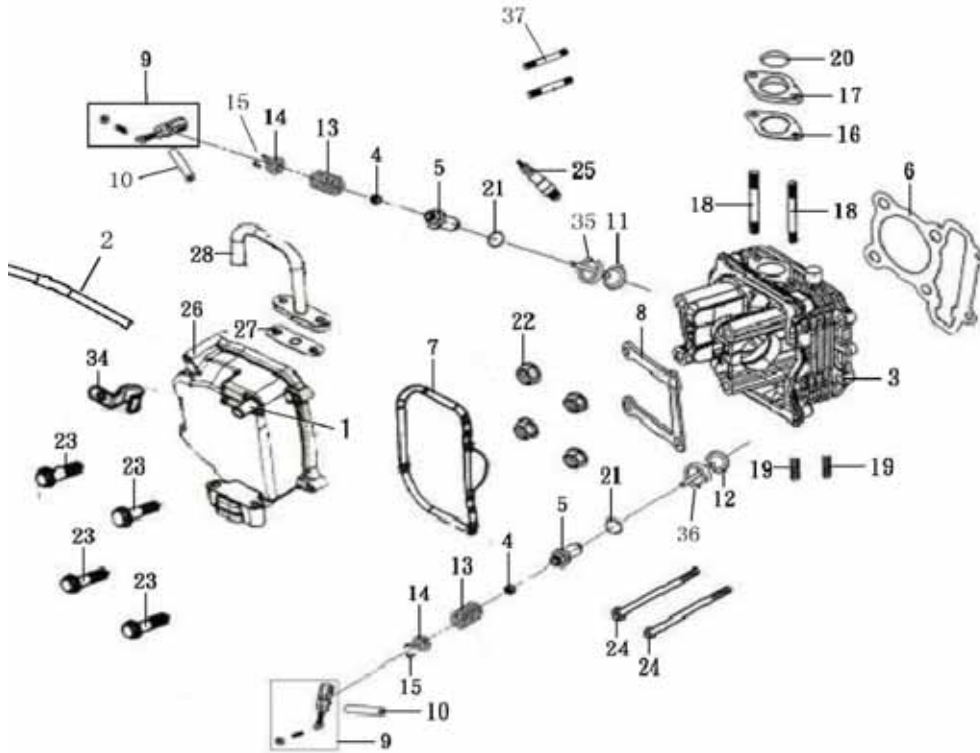


1 SHROUD ASSY



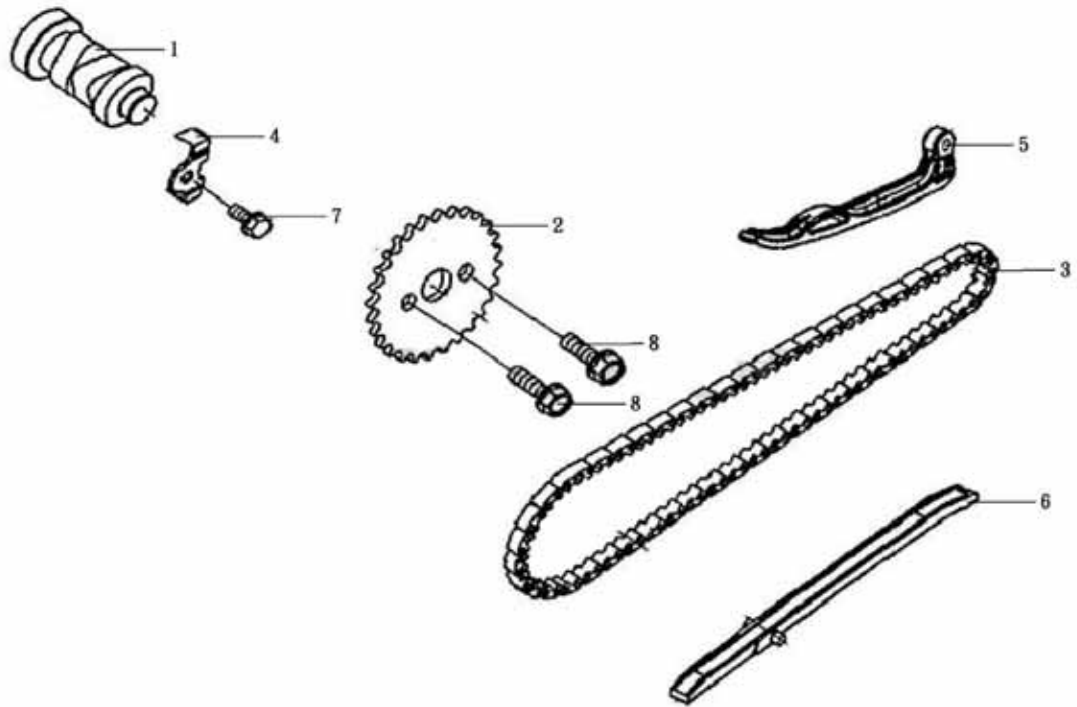
No.	Part No.	Description	Unit	Qty
1	3J3-21005-0000	FAN COVER COMP.	1	
2	3J3-21001-0000	SHROUD A ASSY.	1	
3	3J3-21003-0000	SHROUD B ASSY.	1	
4	9168-ST4.8*15-H	TAPPING SCREW ST4.8x16	6	
5	9103-M6*25-A	SH.FLANGE BOLT M6x25	4	

E02 CYLINDER HEAD

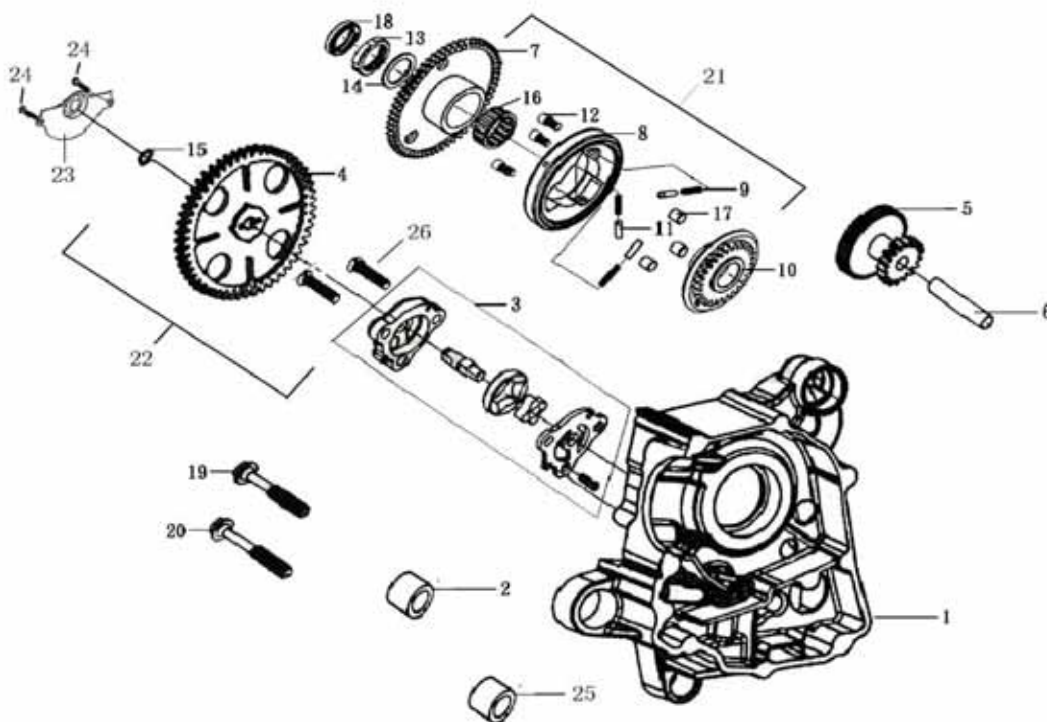


No.	Part No.	Description	Unit	Qty
1	7B1-07012-0000	JOINT		1
2	3J3-01001-0000	PIPE, BREATHER		1
3	3J3-02010-0000	CYLINDER HEAD COMP		1
4	3J3-03003-0000	VALVE STEM SEAL		2
5	3J3-02012-0000	VALVE GUIDE		2
6	3J3-02005-0000	CYLINDER HEAD GASKET		1
7	3J3-01004-0000	HEAD COVER PACKING		1
8	3J3-02006-000H	CLYLINDER HEAD STAY		1
9	3J3-03100-0000	VALVE ROCKER ARM ASSY.		2
10	3J3-03008-0000	IN.ROCKER ARM SHAFT		2
11	3J3-03001-0000	IN.VAIVE		1
12	3J3-03002-0000	EX.VALVE		1
13	3J3-03004-0000	VALVE SPG.		2
14	3J3-03007-0000	RETAINER VALVE SPRING		2
15	3J3-03006-0000	VALVE COTTER		4
16	3J3-22001-0000	CARB.INSULATOR GASKET		1
17	3J3-22002-0000	CARB.INSULATOR		1
18	3J3-02001-000A	STUD BOLT M6X65		2
19	7B1-02005-000A	SPECIAL STUD BOLT M8X40		2
20	9601-27*2-NB	O RING Ø27X2		1
21	9601-9*1.6-NB	O RING Ø9X1.6		2
22	9202-M8-C	NUT FLANGE M8		4
23	9103-M6*30-A	SH.FLANGE BOLT M6X30		4
24	9103-M6*95-A	SH.FLANGE BOLT M6X95		2
25	3J3-02004-0000	PLUG.SPARK(NGK CR7HSA)		1
26	3J3-01010-0000	CYLINDER HEAD COVER COMP.		1
27	3J3-27003-0000	A/I PIPE GASKET B		1
28	3J3-27002-1000	AIR PIPE COMP.		1
35	3J3-02013-0000	IN.VAIVE SEAT		1
36	3J3-02014-0000	EX.VALVE SEAT		1

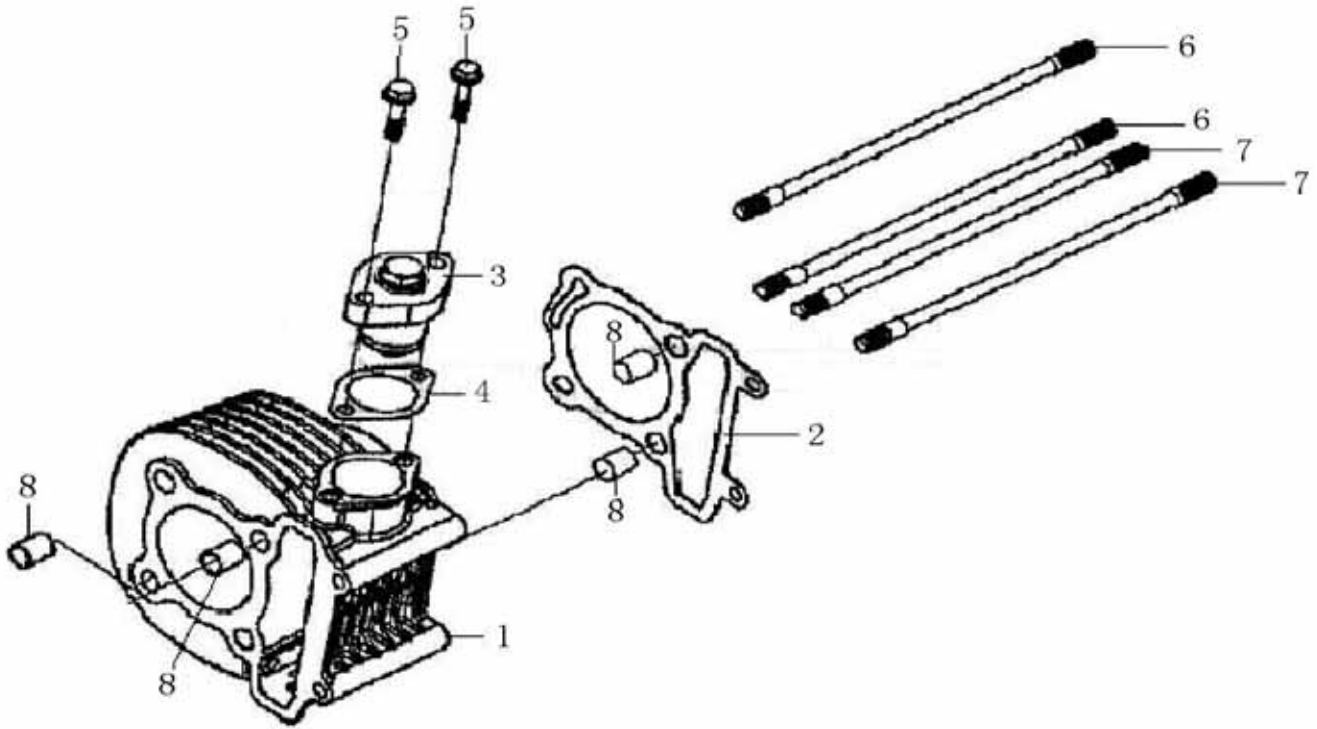
E03 CAM SHAFT &



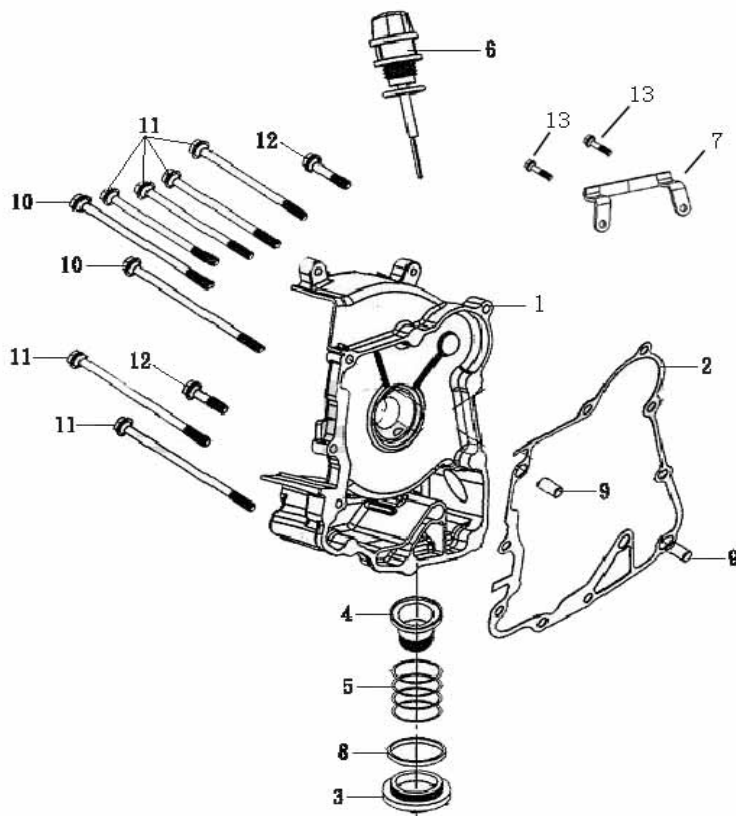
No.	Part No.	Description	Unit	Qty
1	3J3-03020-0000	CAM SHAFT COMP.		1
2	3J3-04005-0000	CAM SPROCKET		1
3	3J3-04004-0000	CAM CHAIN		1
4	3J3-03009-000H	CAM SHAFT SETTING PLATE		1
5	3J3-04001-0000	CAM CHAIN TENSIONER		1
6	3J3-04003-0000	CAM CHAIN GUIDE		1
7	9103-M6*16-C	SH.FLANGE BOLT M6X16		1
8	3J3-04007-0000	KNOCK BOLT		2



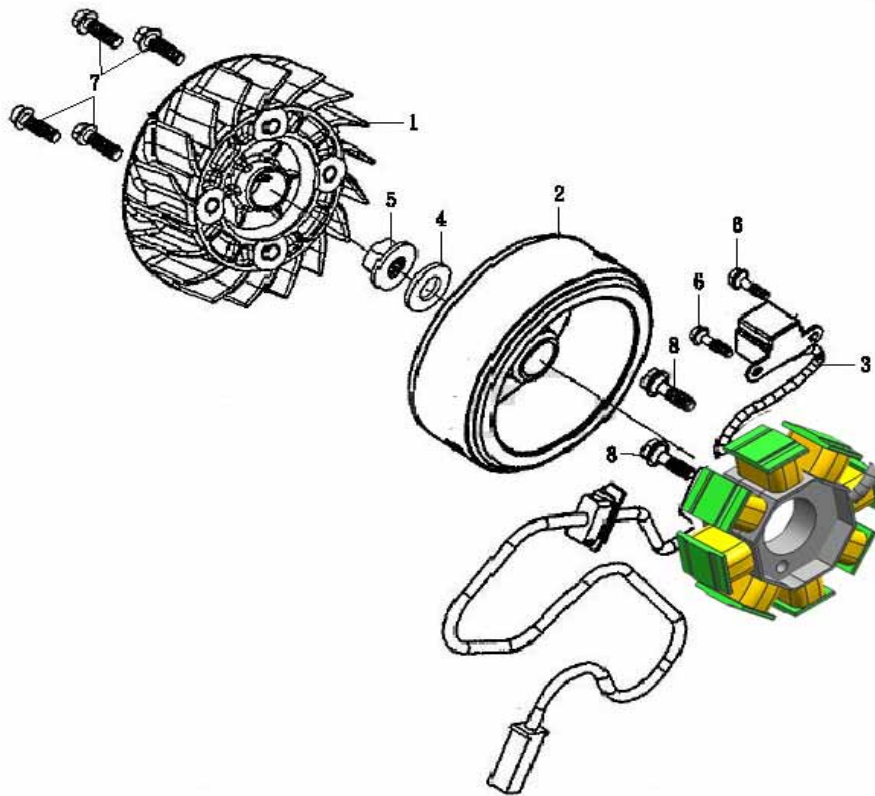
No.	Part No.	Description	Unit	Qty
1	3J3-11002-0000	R.CRANK CASE COMP.		1
2	3J3-11005-0000	ENG.HANGER RUBBER BUSH		1
3	3J3-08010-0000	OIL PUMP ASSY.		1
4	3J3-08021-0000	OIL PUMP DRIVEN GEAR		1
5	3J3-18001-0000	STARTER REDUCTION GEAR		1
6	3J3-18002-0000	START.RED.GEAR SHAFT		1
7	3J3-18020-0000	START.CLUTCH GEAR COMP.		1
8	3J3-18031-0000	STARTING CLUTCH OUTER COMP.		1
9	3J3-18032-0000	STARTER CLUTCH ROLLER SPRING		3
10	3J3-18033-0000	STARTING CLUTCH FLANGE COMP.		1
11	3J3-18034-0000	STARTING ROLLER SPRING CAP		3
12	9151-M6*10-C	SOCKET BOLT M6X10		3
13	9209-M22*1-LH-C	LOCK NUT M22		1
14	9301-22*31*2-H	THRUST WASHER Ø22XØ31X2		1
15	9311-8*1-B	C-CLIP 8mm		1
16	9704-K28*32*17	NEEDLE BEARING Ø28XØ32X17		1
17	3J3-18035-0000	ROLLER Ø10X10		3
18	9602-FB19.8*30*5-VI	OIL SEAL Ø19.8XØ30X5R		1
19	9103-M6*45-A	FLANGE BOLT M6X45		1
20	9103-M6*55-A	FLANGE BOLT M6X55		1
21	3J3-18200-0000	STARTING CLUTCH FLANGE COMP.		1
22	3J3-08100-0000	OIL PUMP SEPARATOR		1
23	3J3-08001-0000	OIL PUMP COVER		1
24	9103-M6*12-C	FLANGE BOLT M6X12		2
25	3J3-11008-0000	BUSH		1
26	9143-M6*25-C	HEAVY HEAD SCREW M6x25		2



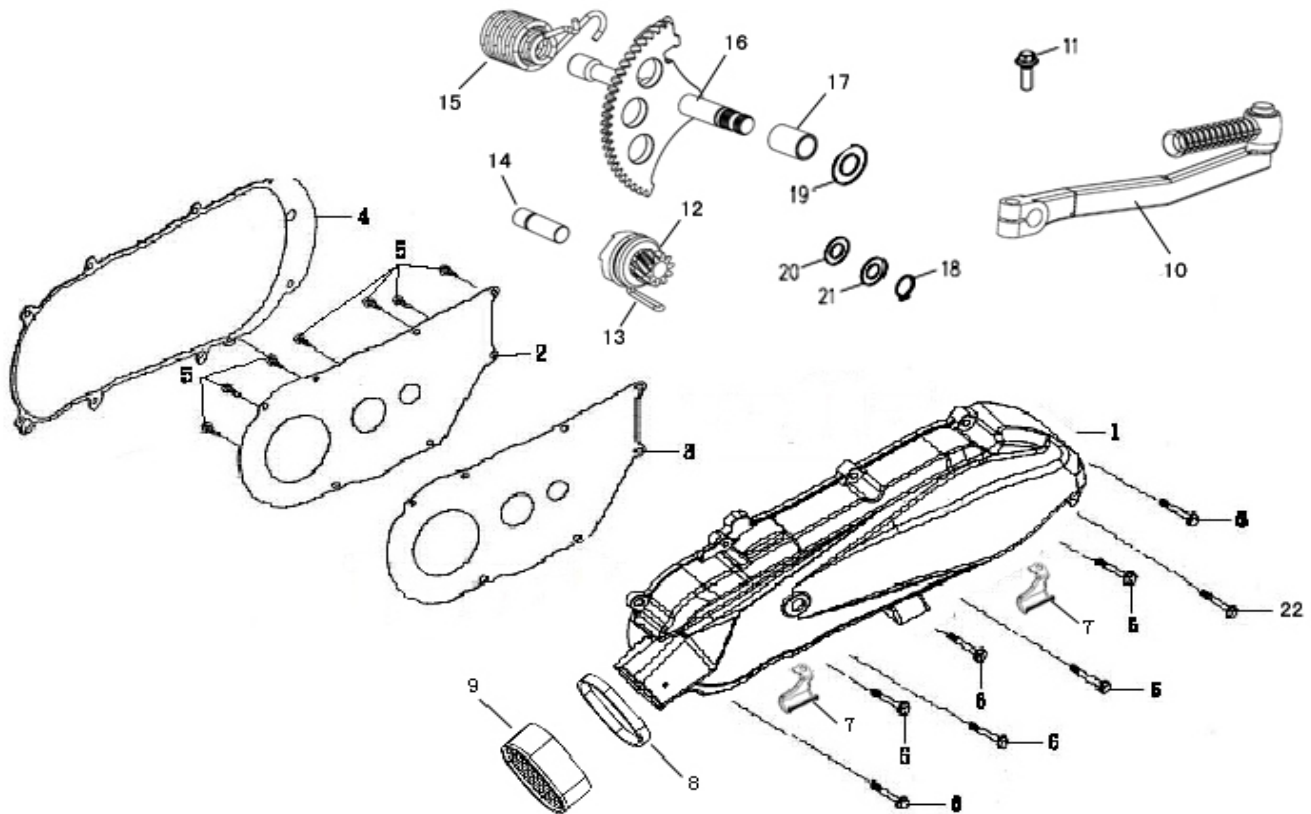
No.	Part No.	Description	Unit	Qty
1	3J3-05001-0000	CYLINDER		1
2	3J3-05002-0000	CYLINDER GASKET		1
3	3J3-04100-0000	TENSIONER LIFTER ASSY.		1
4	3J3-04006-0000	TENSIONER LIFTER GASKET		1
5	9103-M6*22-A	SH.FLANGE BOLT M6X22		2
6	3J3-11004-000C	CYLINDER STUD BOLT A	1*2	2
7	3J3-11003-000C	CYLINDER STUD BOLT B	1*2	2
8	9402-10*14	DOWEL PIN 10X14		4



No.	Part No.	Description	Unit	Qty
1	3J3-12001-0000	R.CRANK CASE COVER		1
2	3J3-12002-0000	R.COVER GASKET		1
3	3J3-12005-0000	TAPPET ADJUSTING HOLE CAP		1
4	3J3-12020-0000	OIL FILTER SCREEN		1
5	3J3-12004-0000	OIL FILTER SCREEN SPG.		1
6	3J3-12006-0000	OIL LEVEL GAUGE		1
7	3J3-19002-000C	ACG CORD CLAMPER		1
8	9601-29.8*3.1-NB	O-RING 29.8mm		1
9	9402-8*14	DOWEL PIN 8X14		2
10	9103-M6*100-A	SH FLANGE BOLT M6X100		2
11	9103-M6*95-A	SH FLANGE BOLT M6X95		6
12	9103-M6*30-A	SH FLANGE BOLT M6X30		2
13	9101-M5*12-A	HEX BOLT M5X12		2

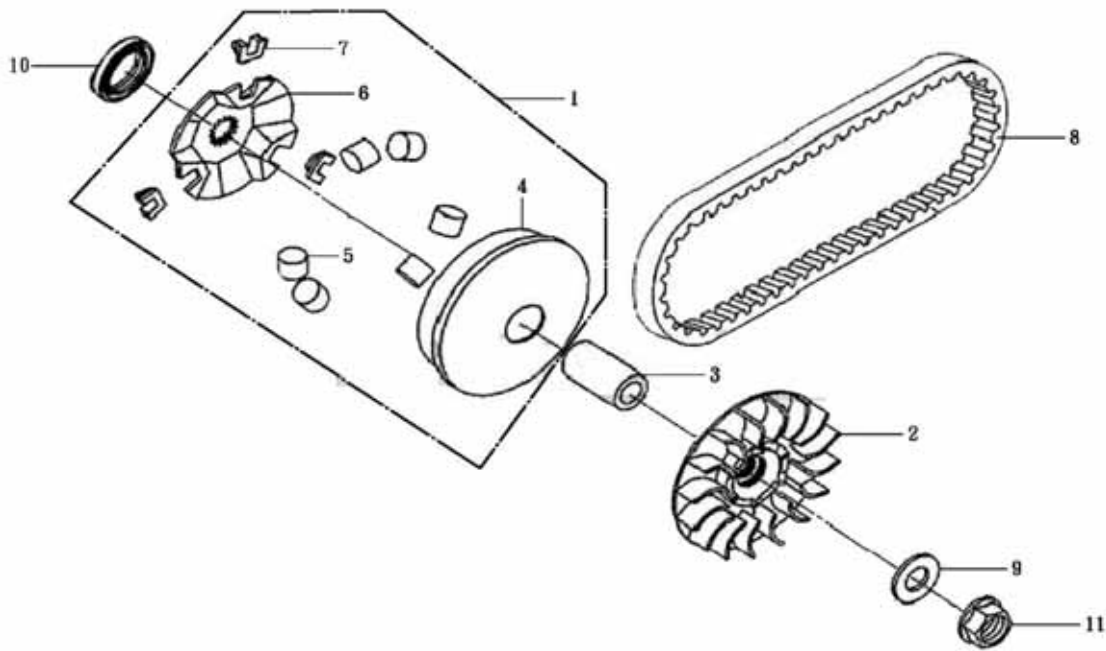


No.	Part No.	Description	Unit	Qty
1	3J3-21006-0000	COOLING FAN COMP.		1
2	3J3-19200-0000	FLYWHEEL COMP		1
3	3J3-19100-0000	STATOR COMP.		1
4	9301-12*25*2.5-B	PLAIN WASHER 12mm		1
5	9203-M12*1.25-C	FLANGE NUT M12		1
6	9101-M5*12-C	HEX BOLT M5X12		2
7	9103-M6*18-C	FLANGE BOLT M6X18		4
8	9103-M6*25-A	SH.FLANGE BOLT M6X25		2

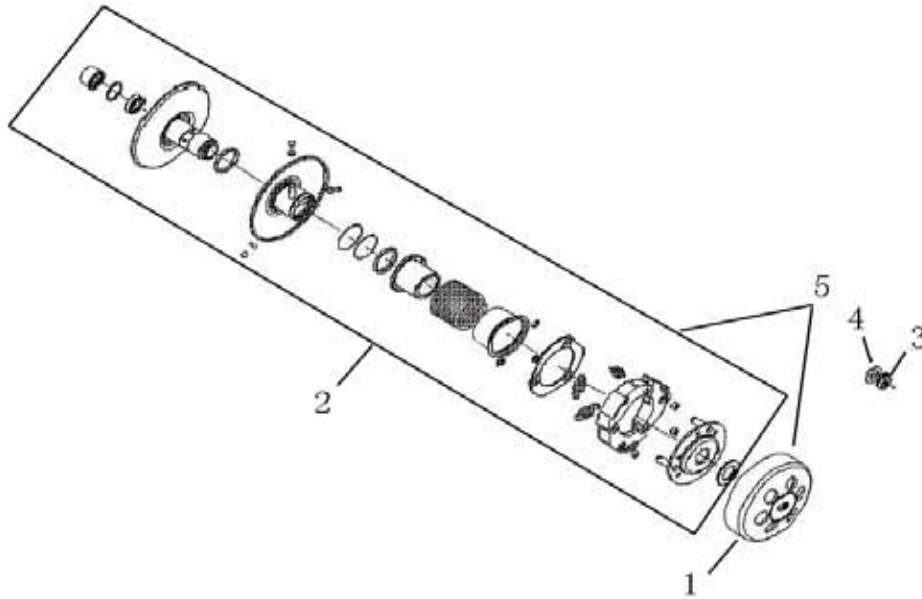


No.	Part No.	Description	Unit	Qty
1	3J3-09001-0000	L.CRANK CASE COVER		1
2	3J3-09005-0000	L.SIDE COVER PLATE		1
3	3J3-09006-0000	L.SIDE COVER PLATE GASKET		1
4	3J3-09002-0000	L.COVER GASKET		1
5	9142-M5*12-C	PAN SCREW M5X12		7
6	9103-M6*28-A	SH FLANGE BOLT M6X28		7
7	3J3-09004-0000	CLIP, REAR BRAKE		2
8	3J3-09008-0000	HOSE CLAMP ASSY.		1
9	3J3-09007-0000	AIR CLEANER,COVER L		1
10	3J3-17010-0000	KICK CRANK ASSY		1
11	3J3-17002-0000	BOLT, SOCKET M8X22		1
12	3J3-17021-0000	KICK PINION ASSY		1
13	3J3-17022-0000	CLIP SPRING		1
14	3J3-09012-0000	SHAFT		1
15	3J3-17001-0000	SPRING,TORSION		1
16	3J3-17031-0000	KICK SHAFT ASSY		1
17	3J3-17032-0000	BUSH,SOLID		1
18	9312-14-F	CIRCLIP 14		1
19	9301-14*21*2-F	WASHER,PLATE		1
20	9303-14*20*0.3-F	WASHER,WAVE PLATE		1
21	9301-12*21*1-F	WASHER		1
22	9103-M6*40-A	SH FLANGE BOLT M6X40		1

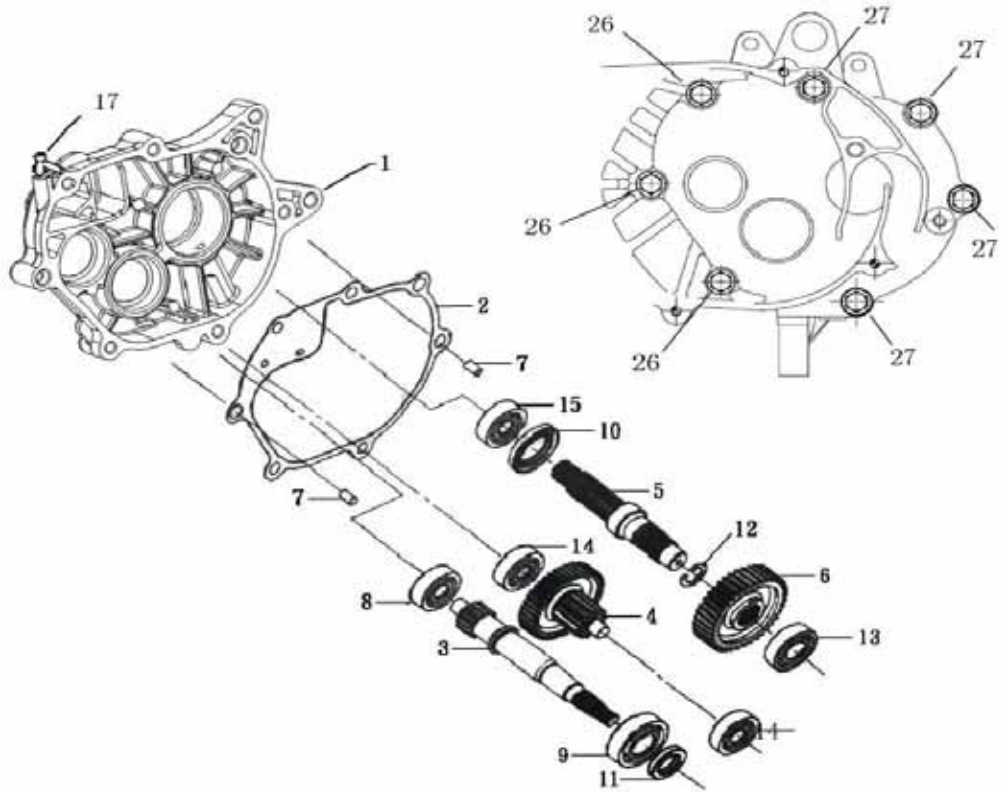
E09 MOVABLE DRIVE FACE
ASSY



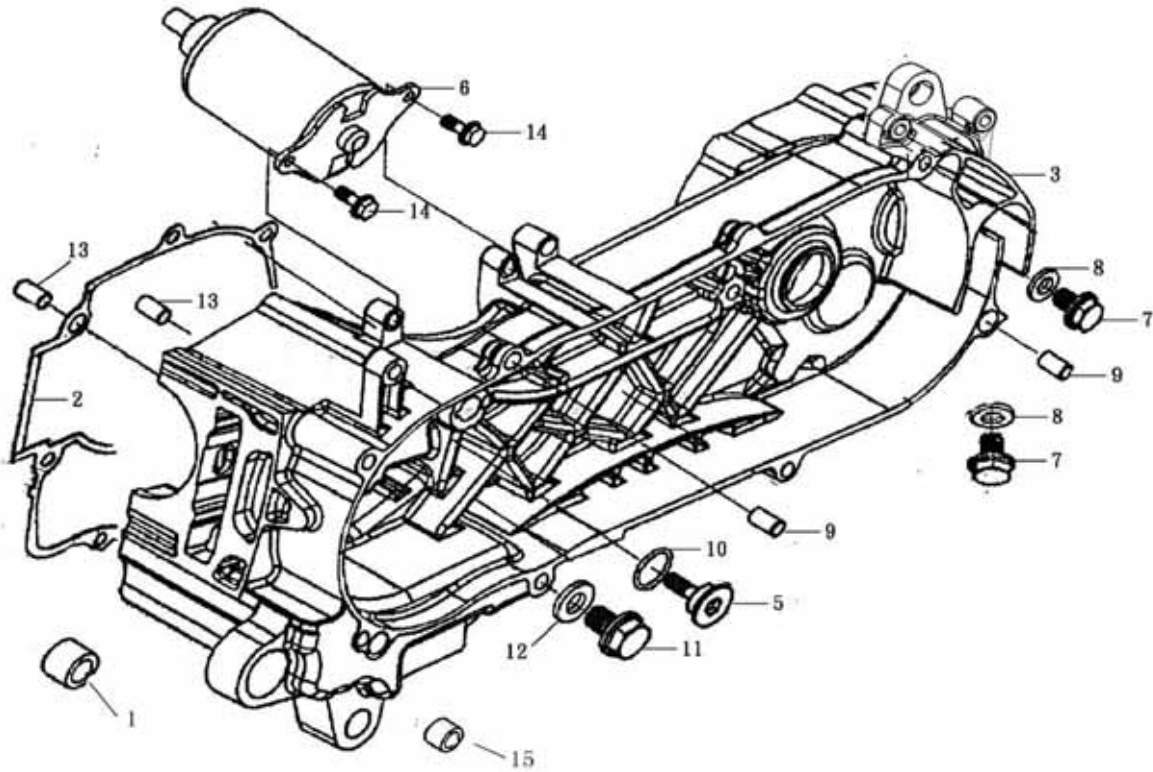
No.	Part No.	Chinese	Description	Unit	Qty
1	3J3-13100-0000		MOVABLE DRIVE FACE ASSY		1
2	3J3-1300F-0000		DRIVE FACE COMP.		1
3	3J3-1300E-000E		DRIVE FACE BOSS		1
4	3J3-1300D-0000		MOVABLE DRIVE FACE COMP.		1
5	3J3-1300C-0000		WEIGHT ROLLER COMP.		6
6	3J3-1300B-000F		RMAP PLATE		1
7	3J3-1300H-0000		SLIDE PIECE		3
8	3J3-13001-0000		DRIVE BELT		1
9	9301-12*25*2.5-B	12	PLAIN WASHER 12mm		1
10	9602-FB25*40*8-VI	25×40×8	OIL SEAL Ø25XØ40X8		1
11	9203-M12*1.25-C	M12×1.25	FLANGE NUT M12×1.25		1



No.	Part No.	Chinese	Description	Unit	Qty
1	3J3-13003-0000		CLUTCH OUTER		1
2	3J3-13010-0000		CLUTCH WEIGHT		1
3	9203-M12*1.25-C	M12x1.25	FLANGE NUT M12x1.25		1
4	9301-12*25*2.5-B	12	PLAIN WASHER 12mm		1
5	3J3-13400-0000		DRIVEN PULLEY SET		1

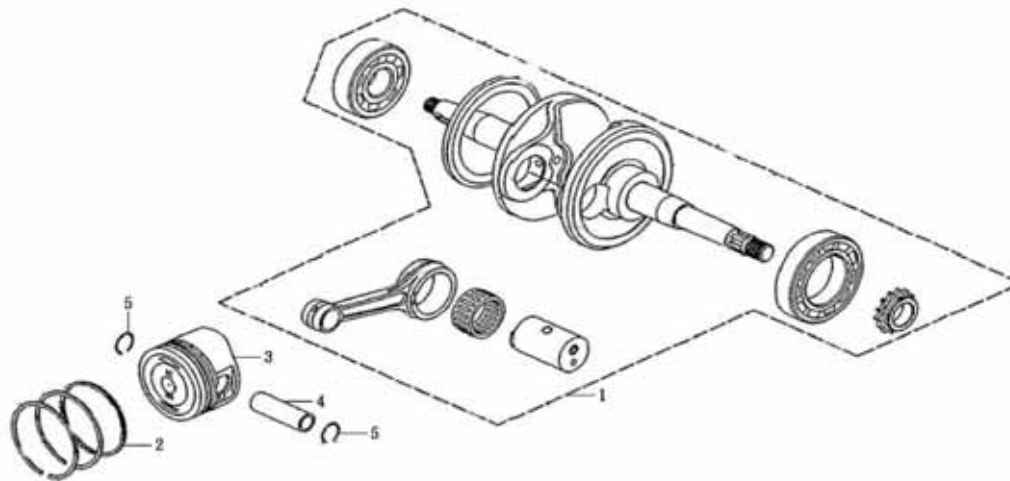


No.	Part No.	Chinese	Description	Unit	Qty
1	3J3-14001-1000	(MISSION CASE COMP. DISK		1
2	3J3-14002-0000		MISSION COVER GASKET		1
3	3J3-14003-0000		DRIVE SHAFT		1
4	3J3-14010-0000		COUNTER SHAFT COMP.		1
5	3J3-14004-0000		FINAL SHAFT		1
6	3J3-14005-0000		FINAL GEAR		1
7	9402-10*14	10x14	DOWEL PIN 10X14		2
8	9701-6301/P6	6301	RADIAL BALL BRG. 6301		1
9	9701-6204E-TD	6204E-TD	RADIAL BALL BRG.6204E-TD		1
10	9602-FB32*47*7-NB	32x47x7	OIL SEAL 32X47X7		1
11	9602-FB20*32*6-VI	20x32x6	OIL SEAL 20X32X6		1
12	9312-22	22	EX. CIR-CLIP 22mm		1
13	9701-6203/P6	6203	RADIAL BALL BRG.6203		1
14	9701-6301/P6	6301	RADIAL BALL BRG.6301		2
15	9701-6204-2RS	6204-2RS	RADIAL BALL BRG.6204-2RS		1
17	7B1-07012-0000		JOINT		1
26	9103-M8*55-A	M8x55	FLANGE BOLT M8X55		3
27	9103-M8*65-A	M8x65	FLANGE BOLT M8X65		4



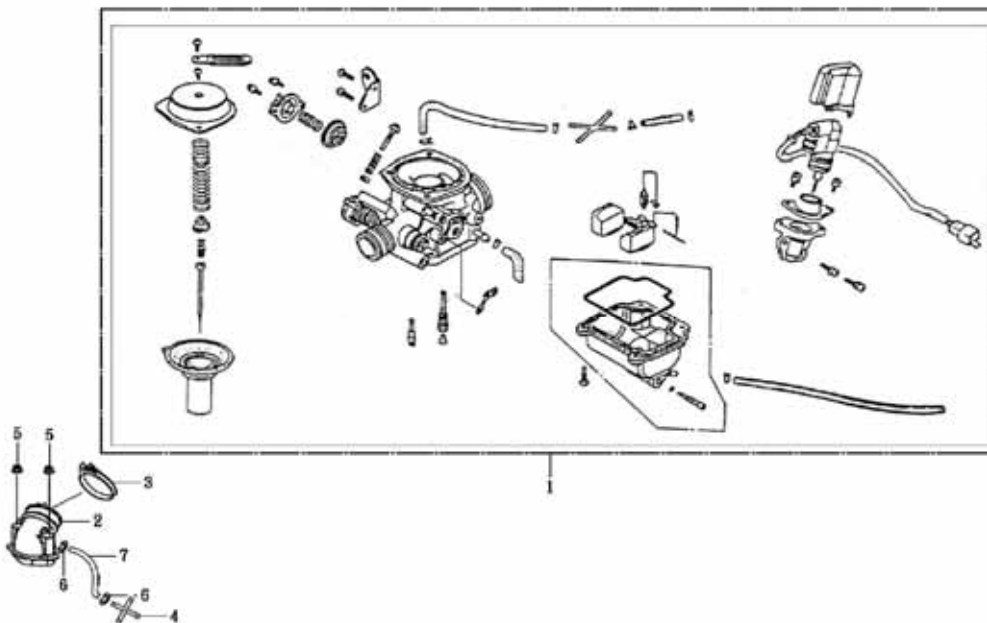
No.	Part No.	Chinese	Description	Unit	Qty
1	3J3-11005-0000		ENG.HANGER RUBBER BUSH		1
2	3J3-11007-0000		R.CRANK CASE GASKET		1
3	3J3-11001-0000		L.CRANK CASE COMP.		1
4	9103-M6*22-A	M6x22	SH.FLANGE BOLT M6X22		1
5	3J3-04002-000C		CAM CHAIN TENSIONER PIVOT		1
6	3J3-18100-0000		START MOTOR ASSY.		1
7	9103-M8*12-C	M8x12	SPECIAL BOLT M8x12		2
8	9301-8*16*2-AL	8	WASHER 8mm		2
9	9402-10*14	10x14	DOWEL PIN 10X14		2
10	9601-15.5*1.5-NB	○ 15.5x1.5	O-RING 15.5X1.5		1
11	9103-M12*15-C	M12x15	DRAIN PLUG BOLT M12x15		1
12	9301-12*20*2-AL	12	PLUG DRAIN WASHER 12mm		1
13	9402-8*14	8x14	DOWEL PIN 8X14		2
14	9103-M6*16-A	M6x16	SH.FLANGE BOLT M6X16		1
15	3J3-11008-0000		BUSH		1

E13 CRANK SHAFT



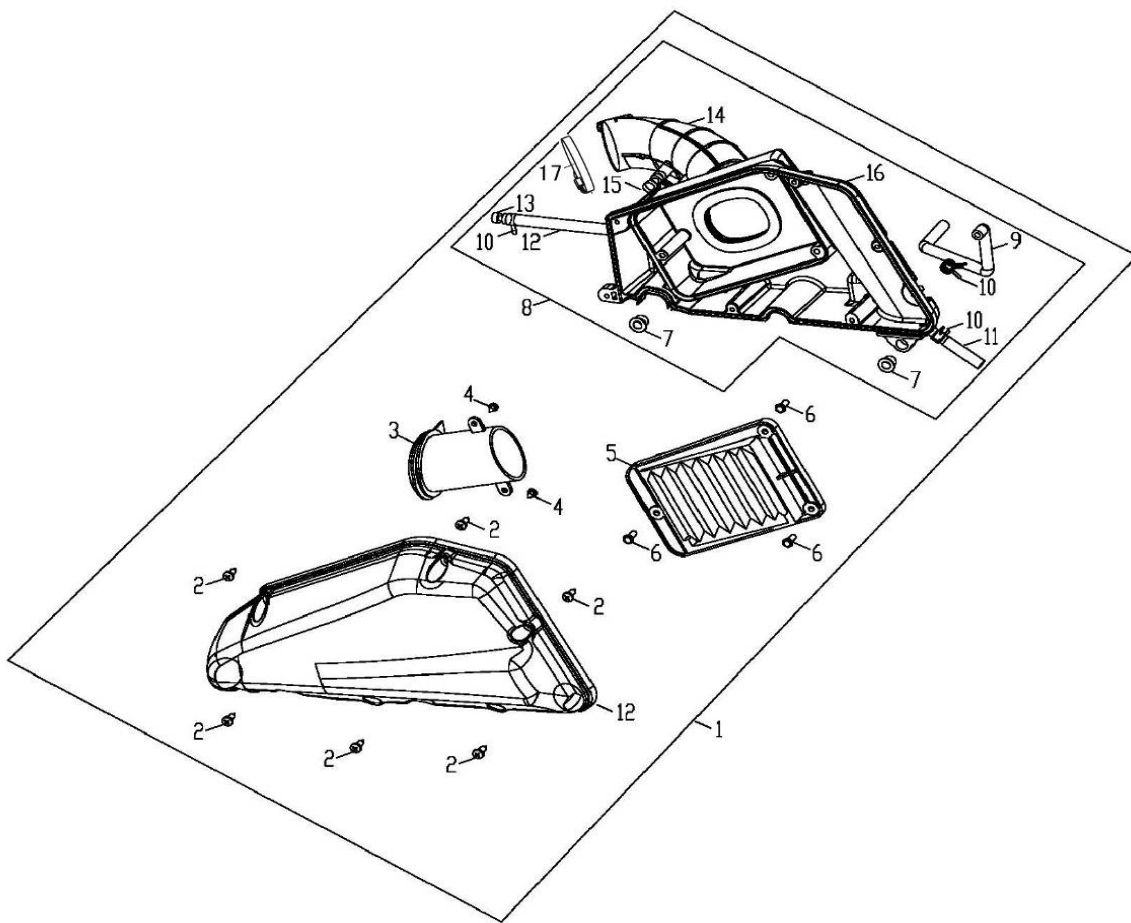
No.	Part No.	Chinese	Description	Unit	Qty
1	3J3-06100-0000		CRANK SHAFT COMP.		1
2	3J3-06200-0000		PISTON RING SET		1
3	3J3-06001-0000		PISTON		1
4	3J3-06002-0000		PISTON PIN 7X10X29.2		1
5	3J3-06003-0000		PISTON PIN CLIP		2

E14 CARBURETOR



No.	Part No.	Chinese	Description	Unit	Qty
1	3J3-23100-0000		CARBURETOR ASSY.		1
2	3J3-22110-0000		INLET PIPE COMP.		1
3	3J3-22120-0000		INSULATOR BAND		1
4	3J3-22104-0000		4-WAY JOINT ASSY		1
5	9203-M6-A	M6	FLANGE NUT M6		2
6	3J3-22103-0000		TUBE CLIP B7		2
7	3J3-22102-0000		TUBE		1

E15 AIR CLEAN



No.	Part No.	Chinese	Description	Unit	Qty
1	3J3-25000-0000		AIR CLEANER ASSY.	PCS	1
2	9165-ST4.8*15-C	ST4.8*15	SCREW TAPPING	PCS	6
3	3J3-25001-0000		PIPE, AIR CLEANER	PCS	1
4	9165-ST4.2*12-C	ST4.2*12	SCREW TAPPING	PCS	2
5	3J3-25200-0000		ELEMENT, AIR CLEANER	PCS	1
6	9147-M5*10-C	M5*10	BOLT	PCS	3
7	3J3-25101-0000		COLLAR	PCS	2
8	3J3-25100-0000		AIR CLEANER CASE COMP.	PCS	1
9	3J3-25102-0000		PIPE, BREATHER	PCS	1
10	9504-8*10-C	8*10	CLIP	PCS	5
11	3J3-25103-0000		PIPE, DRAIN	PCS	1
12	3J3-25104-0000		PIPE, DRAIN L	PCS	1
13	3J3-25105-0000		PULG	PCS	1
14	3J3-25106-0000		PIPE, AIR CLEANER	PCS	1
15	3J3-25107-0000		COVER,OIL BREATHER	PCS	1
16	3J3-25108-0000		AIR CLEANER CASE	PCS	1
17	3J3-25109-0000		CLIP	PCS	1