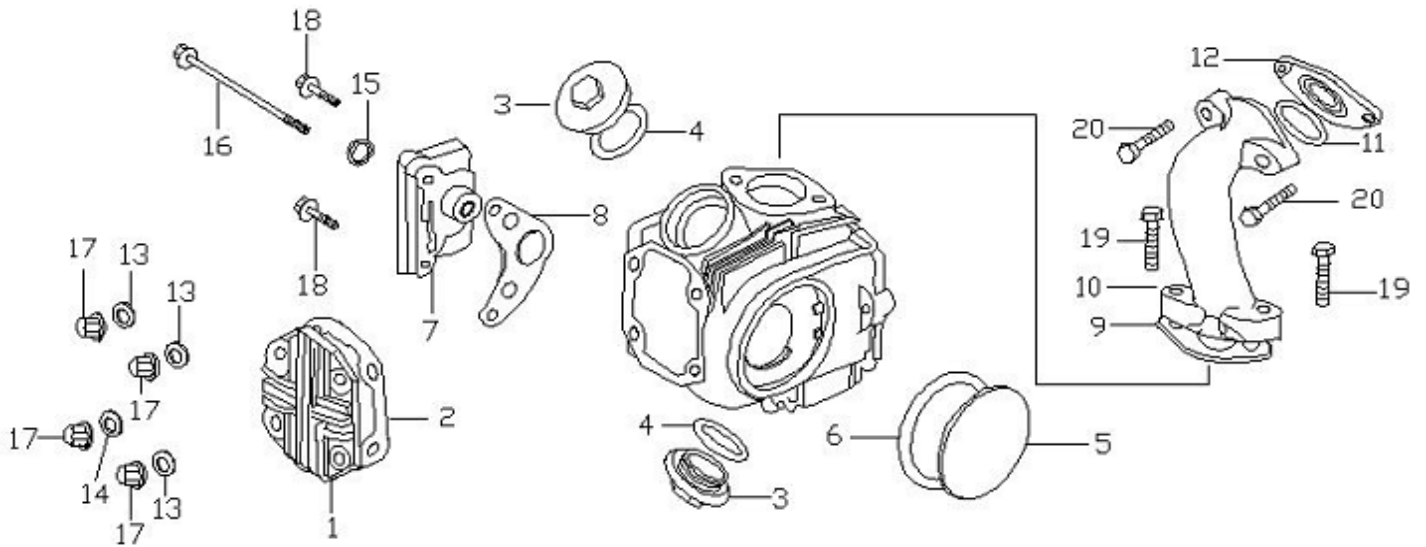


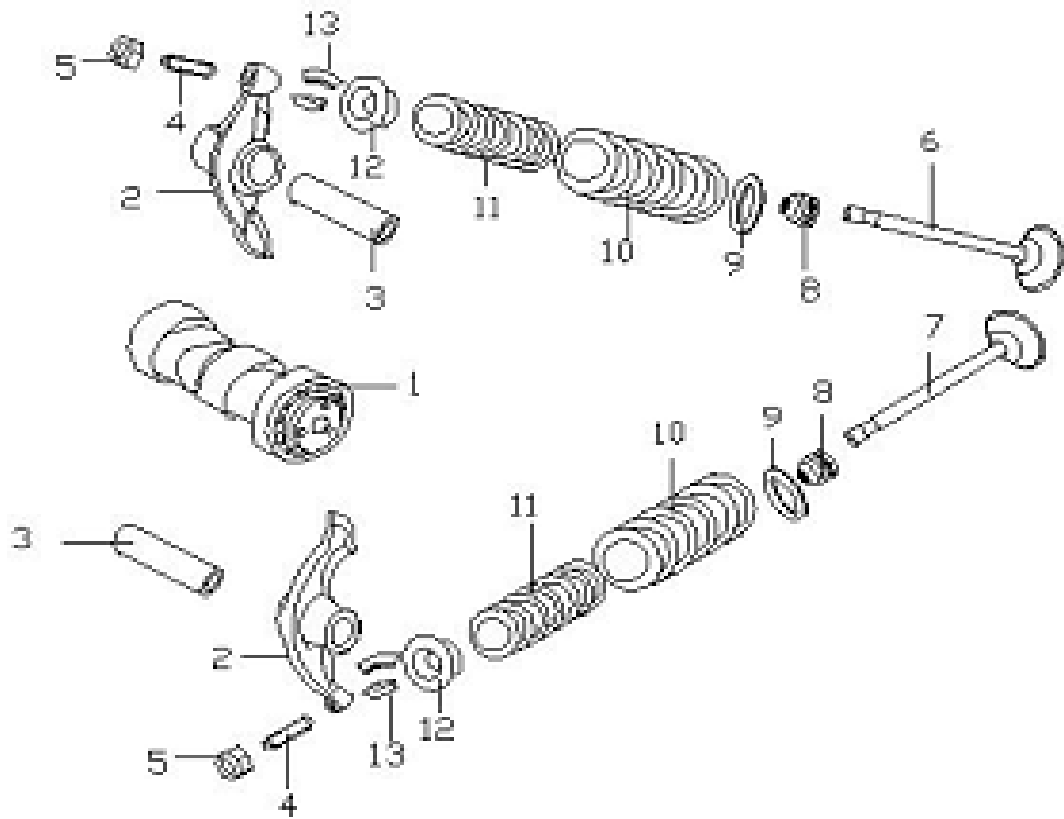
Cylinder Head & Cylinder Body

□ □ Ref.No	□ □ □ □ □	Part No. □ □ □ □ □	Description	□ □ Quantity	□ □ Remark
1	102240-326	□ □ □ □ □	Cylinder Head Assy	1	
2	102244-018□ □	□ □	Valve Guide Pipe	2	
3	102245-004	□ □ □ □ □ □ □	O-Ring	2	
4	102230-051	□ □ □ □ □ □ □ □	Gasket Comp.	1	
5	116108-011□ (i)	□ 8X12	Locating Pin 8X12	2	
6	102121-003	□ □ □	Cylinder Body	1	
7	116108-012□ (i)	□ 8X14	Locating Pin 8X14	2	
8	102108-038	□ □ □ □ □ □	Gasket	1	
9	102104-004	□ □ □ □ □ □ 11.5X14.7X2.4	Seal Ring, Square 11.5X5X2.4	1	
10	102105-004	□ □ □ □ □ □ 9X11.7X1.5	Seal Ring, Square 9X11.7X1.5	1	
11	102107-003	□ □ □ □	Sleeve A	1	
12	102103-005	□ □ □ □ □ □ 14.5X18.5X2.4	Seal Ring, Square 14.5X18.5X2.4	1	
13	102106-003	□ □ □ □ □ □ □	Sleeve B	1	
14	102250-022	□ U □ □ □	Spark Plug	1	
15	102222-016	□ □ □ □ □ □ * M6X32	Stud Bolt M6X32	2	
16	102217-004	□ * M6X23	Bolt M6X23	1	
17	102217-005	□ * M6X20	Bolt M6X20	1	

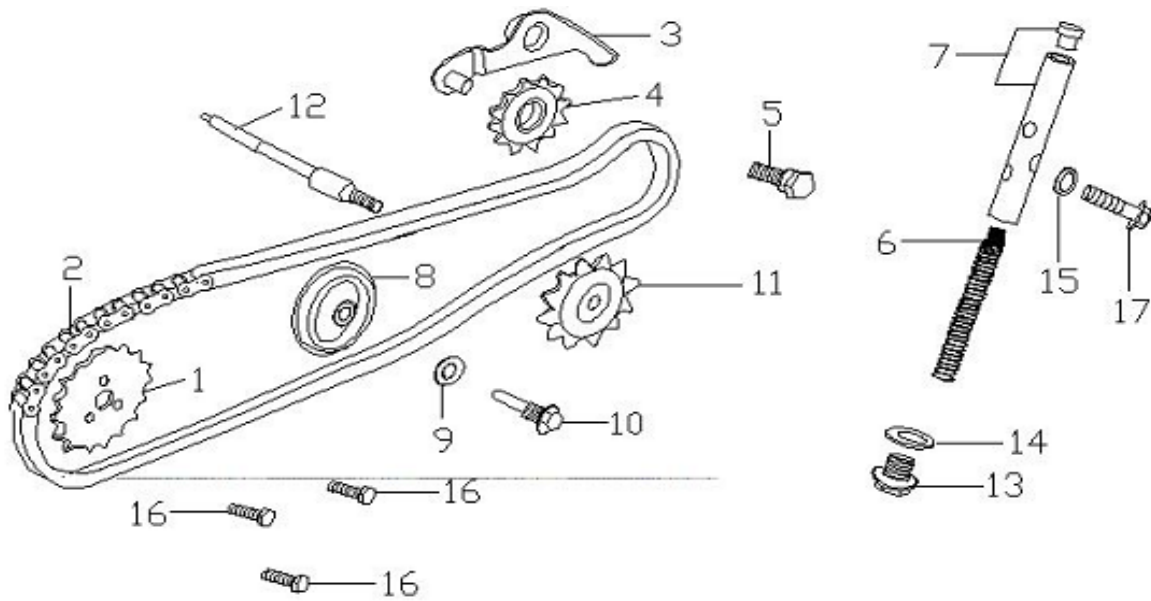


Cylinder Head & Intake Pipe

Ref.No	Part No.	Description	Quantity	Remark
1	102201-58	Cylinder Head Cover	1	
2	102202-03	Gasket,Cylinder Head Cover	1	
3	102207-23	Cover, Valve	2	
4	102208-01	O-Ring 30.8×3.2	2	
5	102203-35	L.Cover,Cylinder Head	1	
6	102204-07	Gasket,Cylinder Head Light Cover	1	
7	102290-45	R.Cover Assy,Cylinder Head	1	
8	102206-03	Gasket,Cylinder Head Right Cover	1	
9	100005-01	Gasket,Intake Pipe	1	
10	100004-02	Intake Pipe	1	5B
11	100014-01	O-Ring 25.4×2.5	1	
12	100013-01	Gasket,Carburetor	1	
13	102221-01	Washer	3	
14	102219-06	Washer	1	
15	102224-01	Washer	1	
16	102223-01	Long Bolt M6×110	1	
17	102218-02	Crown Nut	4	
18	116101-002	Bolt	2	
19	115100-017	Bolt M6×25	2	
20	115100-018	Bolt M6×30	2	

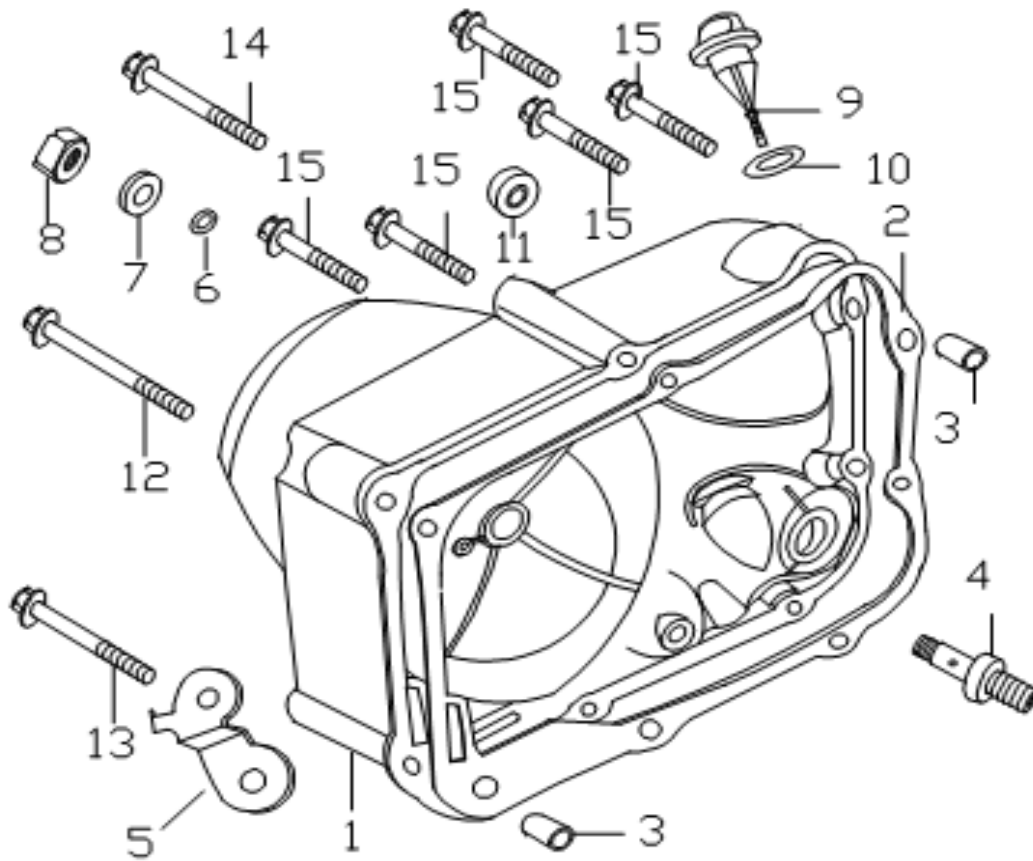


Camshaft & Valve					
Ref.No		Part No.	Description	Quantity	Remark
1	104130-051		Camshaft Comp.	1	
2	104411-007	X	Rocker Arm, Valve	2	
3	104413-020		Arm Shaft	2	
4	104415-002	Xwlq	Adjusting Screw, Valve	2	
5	104416-002	Xwl	Adjusting Nut, Valve	2	
6	104301-030	X	Exhaust Valve	1	
7	104302-030	X	Intake Valve	1	
8	104306-001		Oil Guard comp	2	
9	104306-001	X	Washer, Outer Spring	2	
10	104304-001	X	Outer Spring	2	
11	104303-001	X	Inner Spring	2	
12	104307-001X		Spring Seat, Valve	2	
13	104308-001	X	Valve Lock	4	



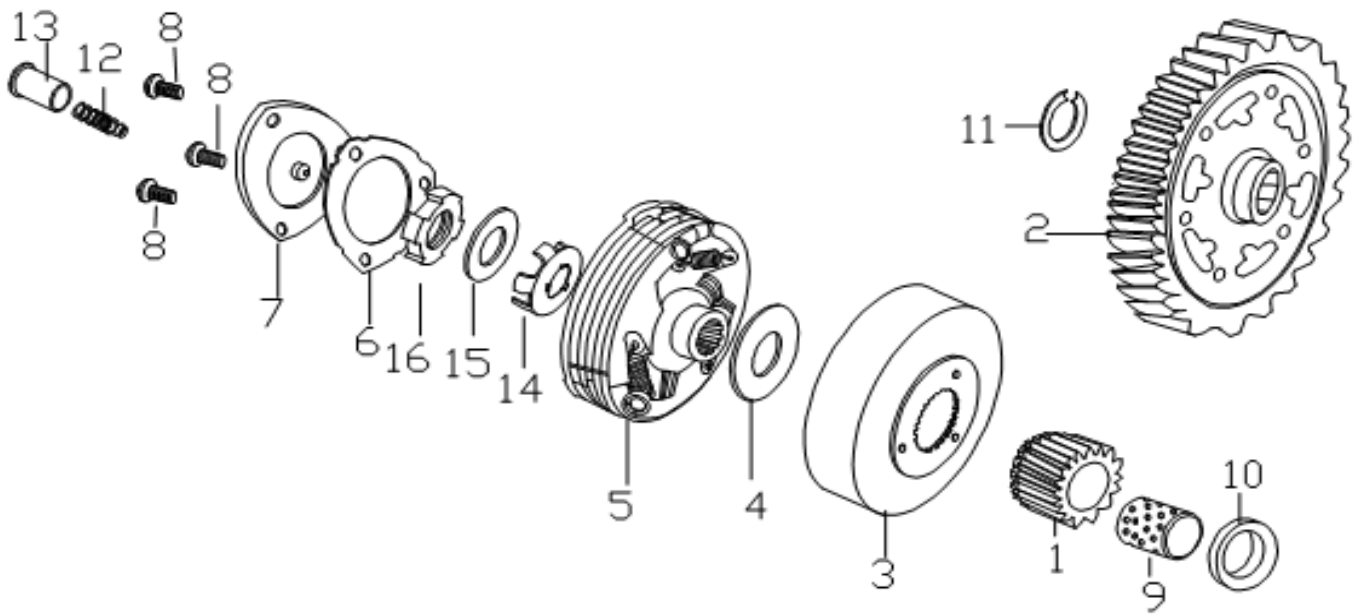
Timing Chain & Tensioner

Ref.No	Part No.	Description	Quantity	Remark
1	104101-001	Timing Driven Sprocket	1	
2	104150-020	Timing Chain,Rolling	1	82/84
3	104220-001	Tensioner Arm Comp,Chain	1	
4	104204-001	Tensioner Roller Comp.Chain	1	
5	104208-001	Shaft, chain Tensioner	1	
6	104203-001	Spring,Chain Tensioner Rod	1	
7	104230-001	Chain Tensioner Rod Comp	1	
8	104205-005	Rolling Wheel Comp ,Chain	1	
9	104207-001	Washer $\Phi 8$	1	
10	104206-001	Pin Shaft	1	
11	105120-001	Driven Sprocket Comp,Oil Pump	1	
12	105102-001	Sprocket Shaft,Oil Pump	1	
13	104223-001	Plug,Seal	1	
14	104224-001	Washer	1	
15	102224-001	Washer $\Phi 6.5$	1	
16	104102-001	Bolt M5X12	3	
17	116101-003	Bolt M6X16	1	

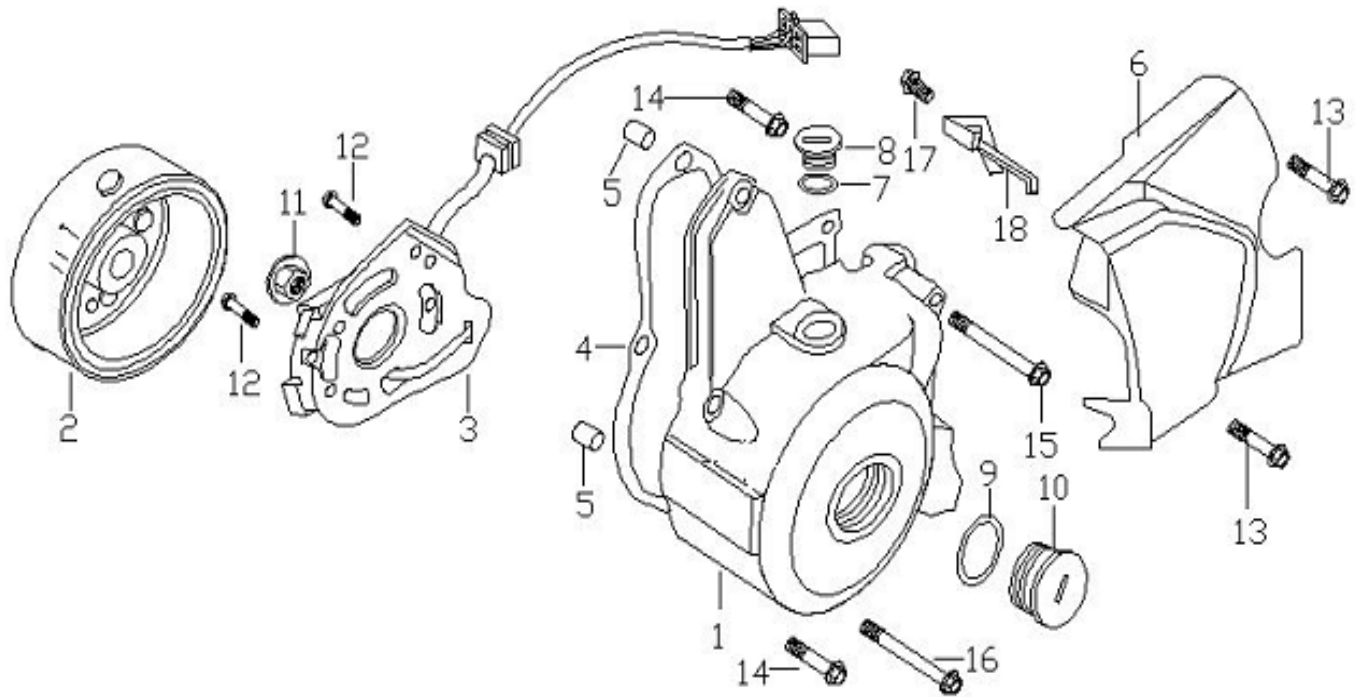


Right Craicase Cover

□ □ Ref.No	□ □ □ □ □	Part No. □ □ □	Description	□ □ Quantity	□ □ Remark
1	101401-300	□ □ □ □ □	Cover,R.Crankcase	1	□ □ □
2	101403-028	□ □ □ □ □ □ □ □	Gasket,R.Crankcase Cover	1	
3	116108-005	□ □ □ 8X12	Pin,Dowel Φ8X12	2	
4	106307-001	□ □ □ □ M8	Adjuster Screw ΦM8	1	
5	101405-001	□ □ □ □	Clip,High Voltage Wire	1	
6	106309-002	O □ □ 8X1.8	O-Ring, Φ8X1.8	1	
7	106311-004	□ □ □ Φ8	Washer, Φ8	1	
8	106308-005	□ □ M8	Nut M8	1	
9	100016-013	□ □ □	Oil Ruler	1	
10	101442-002	O □ □ □ □ 18X3.5	O-Ring Φ18X3.5	1	
11	116101-004	□ □ M6X55	Bolt M6X55	1	GB/T5787-2000
12	116101-005	□ □ M6X65	Bolt M6X65	1	GB/T5787-2000
13	116101-006	□ □ M6X85	Bolt M6X85	1	GB/T5787-2000
14	116101-007	□ □ M6X40	Bolt M6X40	5	GB/T5787-2000

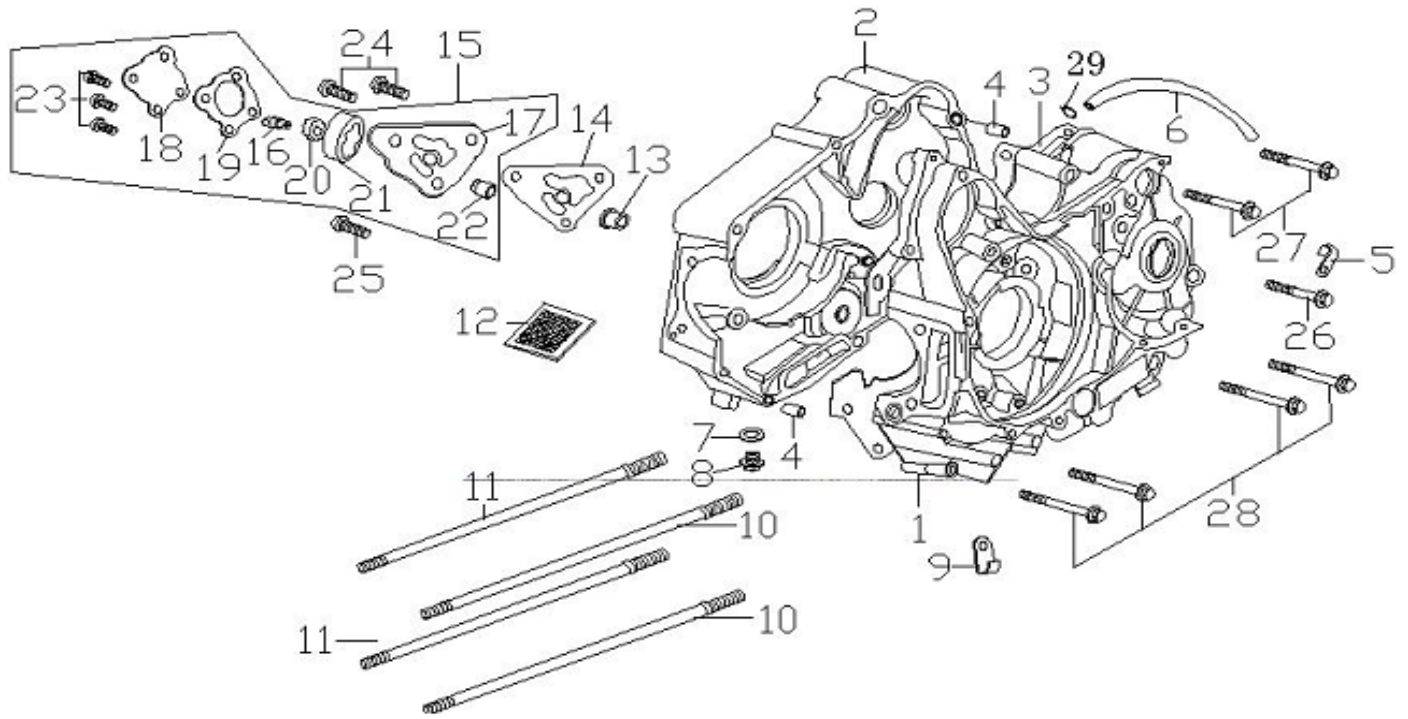


Clutch					
□ □ Ref. No	□ □ □ □ □ □ Part No.	□ □ □ □ □	○ ~	□ ~ Quantity	Remark
1	106001-027	□ □ □ □	Primary Driving Gear	1	
2	106020-007	□ □ □ □ □ □ □ □ □ □	Driven Gear Comp.	1	
3	106260-012	□ □ □ □ □ □ □ □ □ □	Clutch Outer Cover Comp.	1	
4	106103-011	□ □ □ □ □ □	Washer	1	
5	106250-005	□ □ □ □ □ □	Drive Plate Comp.	1	
6	106109-006	□ □ □ □ □ □	Gasket,Clutch End Cover	2	
7	106108-011	□ □	End Cover	1	
8	115200-035	□ □ M5X8	Bolt M5X8	3	
9	106002-003	□ □ □ □ □ □ □ □	Collar	1	
10	106101-003	□ □	Grommet	1	
11	106104-004	□ □ φ17	Circlip	1	
12	106106-004	□ □ □ □ □ □ □ □	Spring,Oil Guide Pipe	1	
13	106105-005	□ □ □ □ □	Pipe, Oil Guide Pipe	1	
14	106102-011	□ □ □ □ □	Stopper Washer	1	
15	106112-008	□ □ □ □ □	Disk Washer	1	
16	106111-009	□ □ □	Nut	1	



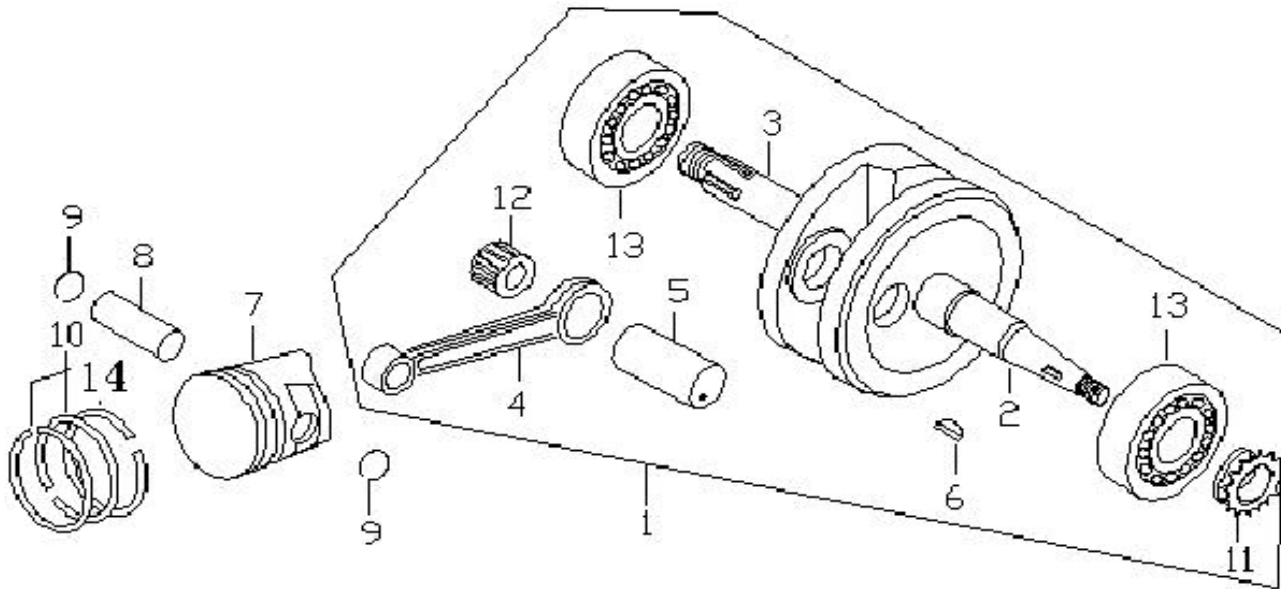
Left Crankcase Cover & Magneto

□ □ Ref.No	□ □ □ □ □ □ Part No.	□ □ □ □ fill	Description	□ AL Quantity	□ □ Remark
1	101301-239	AEA□□□□	Left Crankcase Cover,Fr.	1	
2	111100-037□□□□		Flywheel Assy	1	
3	111200-120	□□□□	Stator Assy	1	
4	101304-023	AEA□□□□□□□	Gasket,L.Crankcase Cover	1	
5	116108-011	□□□ Φ8X12	Locating Pin Φ8X12	2	
6	101302-182	AEA□□FH□	Rear Cover(Left Crankcase)	1	
7	101313-002	O □□ Φ13.8X2.5	O-Ring Φ13.8X2.5	1	
8	101307-001	□□TL□	View Cover(Small)	1	
9	101312-004	O □□Φ27.4X2.4	O-Ring Φ27.4X2.4	1	
10	101316-014	□□TL□	View Cover(Big)	1	
11	103208-001	□□M10	Nut M10	1	
12	115100-015	□□ M6X16	Bolt M6X16	2	
13	116101-008	□□M6X28	Bolt M6X28	2	
14	116101-009	□□ M6X32	Bolt M6X32	2	
15	116101-010	□□ M6X50	Bolt M6X50	1	
16	115100-046	□□M6X65	Bolt M6X65	1	
17	116101-003	□□ M6X16	Bolt M6X16	1	
18	101309-003	□□□	Press Plate	1	
19	115100-020	□□ M5X16	Bolt M5X16	2	



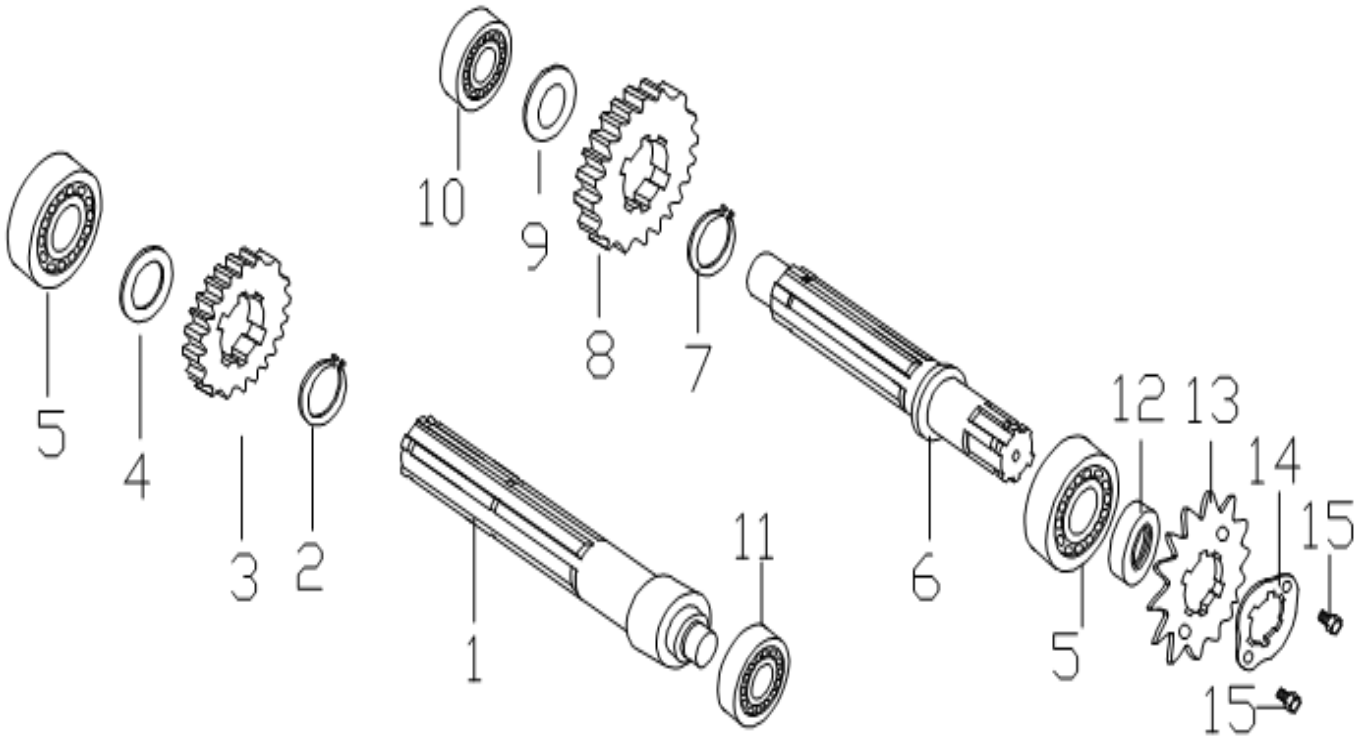
Crankcase & Oil Pump

□□ Ref.No	□□□□□	Part No. □□□□□□	Description	□□ Quantity	□□ Remark
1	101140-287	□□□□□□	Left Crankcase Comp.	1	
2	101220-115	□□□□□□	Right Crankcase Comp.	1	
3	101101-027	□□□□□□	Gasket, Crankcase Comp.	1	
4	116108-004	Z□□ 10X14	Locating Pin 10X14	2	
5	101205-001	□□□□	Clamp	1	
6	101202-002	□□□	Air Pipe	1	
7	101121-001	□□□□□□	Washer	1	
8	101119-007	□□□□	Releasing Screw,Oil	1	
9	101114-007	□□□□	Clip Pipe	1	
10	101103-027	□□□□A	Bolt A,Stud	2	
11	101104-023	□□□□B	Bolt B,Stud	2	
12	101130-001	#L□□□□	Filter Screen,Oil	1	
13	105103-002	□□□□□□	Bush Sprocket	1	
14	105104-011	#L□□□□□	Gasket,Oil Pump	1	
15	105110-043	#L□□□□	Oil Pump	1	
16	105115-009	□□□□□	Oil Pump Driving Shaft	1	
17	105116-010	□□□□	Oil Pump Body	1	
18	105117-011	□□□□	Cover,Oil Pump	1	
19	105118-002	□□□□□	Gasket	1	
20	105112-011	□□□	Inner Rotor,Pump	1	
22	105106-002	□□□□□□□	Bush Sprocket	1	
23	115200-008	□□M5X10	Bolt M5X10	3	
24	115200-006	□□M6X1 6	Bolt M6X1 6	2	
25	115200-009	□□M6X22	Bolt M6X22	1	
26	116101-010	□□M6X50	Bolt M6X50	1	
27	116101-011	□□M6X60	Bolt M6X60	2	
28	116101-005	□□M6X65	Bolt M6X65	4	
29	101203-013	□□□□□□	Clip, Breather Tube	1	



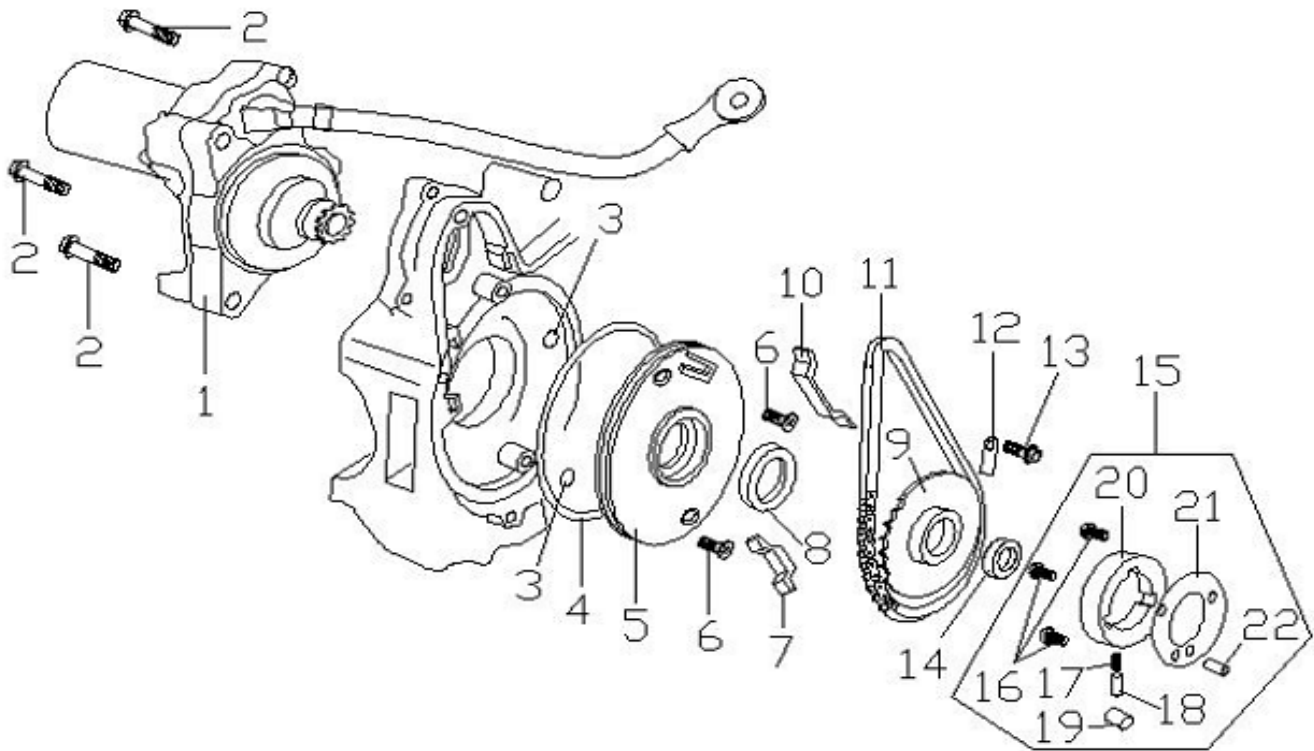
CANKSHAFT & PISTON

□ □ Ref.No	□ □ □ □ □	Part No. □ □ □ □ □	Description	□ □ Quantity	□ □ Remark
1	103200-086	□ □ z □ □ □	Crankshaft Assy	1	
2	103221-006	ZE □ □	Left Crankshaft	1	
3	103231-005	□ □ □	Right Crankshaft	1	
4	103201-010	z □	Conect,Rod	1	
5	103204-008	□ □ □	Pin	1	
6	103203-019	□ □ □	Key	1	
7	103101-049	□ □	Piston	1	
8	103102-027	□ □ □	Piston Pin	1	
9	103103-022	□ □ □ □ □	Circlip	2	
10	103104-040	□ □ j T □ j T □ □ j T	Piston Ring	1	
11	103223-011	□ □ □ □ □ □	Timing Driving Gear	1	
12	103205-009	□ □ □ □ □ □	Roller Bearing	1	
13	116210-010	□ □ 6304	Bearing	2	
14	103110-013	□ j T □ □	Oil Ring Comp		



Mainshaft & Counter Shaft

Ref.No	Part No.		Description	Quantity	Remark
1	107101-041	I□	Main Shaft	1	
2	107113-015	I□□□	Collar	1	
3	107103-001Im□flb		Driving Gear	1	
4	107114-012	□□□□	Stopper Washer	1	
5	116210-006	□□ 6203	Bearing 6203	2	
6	107201-056	□□	Counter Shaft	1	
7	107204-012	□□□□	Collar	1	
8	107206-013	□m□flb	Driven Gear	1	
9	107202-022	□□□□	Stopper Washer	1	
10	116210-012	□□ 6201	Bearing 6201	1	
11	116210-011	□□ 6001	Bearing 6001	2	
12	107230-004□□	17X29X5	Oil Seal 17X29X5	1	
13	107221-031	ImMf'b	Driving Sprocket	1	
14	107222-002	ImMflb□□□	Locating Plate	1	
15	115100-021	□□M6X8	Bolt M6X8	2	



Electric Starting Unit

□ □ Ref.No	□ □ □ □ □	Part No. □ □ □ □ □	Description	□ □ Quantity	□ □ Remark
1	112000-121	□ □ □ □	Starting Motor Assy	1	
2	115100-001	□ □ M6×50	Bolt M6×50	3	
3	101124-001	O □ □ 5.8×1.9	O-Ring 5.8×1.9	2	
4	101106-002	O □ □ 107×2	O-Ring 107×2	1	
5	101105-002	□ □ □	Cover	1	
6	115200-010	□ □ M6×16	Bolt M6×16	2	
7	104201-012	□ □ □ □ □	Tensioner, Starting Chain	1	
8	101107-001	□ □ □ □ □ 30×42×5	Oil Seal 30×42×5	1	
9	109210-015	□ □ □ □ □ □	Starting Sproket Comp.	1	
10	104202-018	□ □ □ □ □	Guide, Starting Chain	1	
11	109240-001	□ □ □ □ (62 □)	Starting Chain (62Nos)	1	
12	109201-003	□ □ □ □	Retainer	1	
13	115100-010	□ □ M6×12	Bolt M6×12	1	
14	109250-001	□ □ □ □ 18.9×30×5	Oil Seal 18.9×30×5	1	
15	109100-014	□ □ □ □ □ □ □	Starting Clutch Assy	1	
16	115400-005	(□ □ □) □ □ M8×20	Bolt M8×20	1	
17	109101-007	□ □ □ □	Spring	3	
18	109102-007	□ □ □	Spring Circlip	3	
19	109114-007	□ □	Roller	3	
20	109110-004	□ □ □ □ □ □ □ □ □	Body Comp., Starting Clutch	1	
21	109115-003	□ □	Washer	1	
22	109103-001	□ □ □	Locating Pin	1	