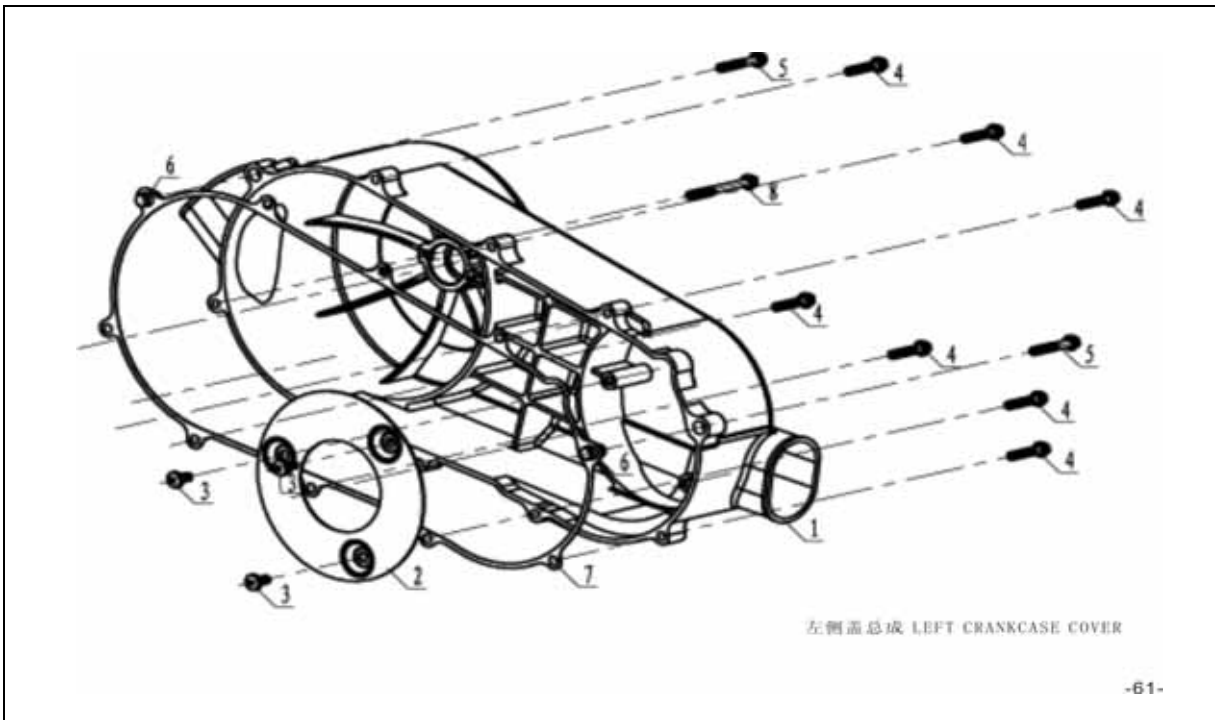


曲轴箱总成 CRANKCASE

□□□□ CRANKCASE

□□□□□ PART CATEL

□□	□□□□□ Prat No	□□□□□ Prat Name	□□□□ Chinese Name	□□ Quantity
1	101140-290	LEFT CRANKCASE ASSY	□□□□□□	1
2	101220-118	RIGHT CRANKCASE ASSY	□□□□□□	1
3	101233-006	OIL SEAL,CRANKCASE	□□□□□	1
4	101209-002	RING	□□□□□□□	2
5	101103-030	BOUBLE-HEAD SCREW A	□□□□A	3
6	906184-012	DOWEL PIN φ10×14	□□□φ10×14	4
7	101104-025	BOUBLE-HEAS SCREW B	□□□□B	1
8	101101-030	CONNECTING CASE GASKET	□□□□□□	1
9	101230-008	OIL PIPE UNIT	□□□□□	1
10	115100-010	BOLT M6×12	□□M6×12	1
11	115100-058	BOLT M8×62	□□M8×62	4
12	115100-059	BOLT M8×73	□□ M8×73	3
13	115100-060	BOLT M8×106	□□ M8×106	1
14	101223-002	RUBBER BUSH	□□□□	2
15	101209-003	RING 15.8×2.4	O□□□□ 15.8×2.4	4
16	101224-002	RUBBER	□□□□	2
18	902012-058	BEARING 22×50×14	□□ 22×50×14	1
19	101233-007	OIL SEAL,CRANKCASE FB 22×35×5	□□ FB 22×35×5	1
20	902012-059	BEARING 6201	□□ 6201	1
21	902012-060	BEARING 6202-RS	□□ 6202-RS	1
22	101120-002	ORIENTATION BOLT M14×1.5	□□□□ M14×1.5	1
23	101139-002	WASHER 14.4×22×1	□□14.4×22×1	1
24	101138-002	SPRING,LOCATING BOLT	□□□□	1
25	101137-002	BALL 3/8	□□ 3/8	1
26	904108-002	RING φ13.5*φ14	O□□□□ φ13.5*φ14	1
27	101156-001	SPEEDOMETER SENSOR	□□□□□□□	1
28	115100-023	BOLT M6×20	□□M6×20	1
29	115100-041	BOLT M6×70	□□ M6×70	1

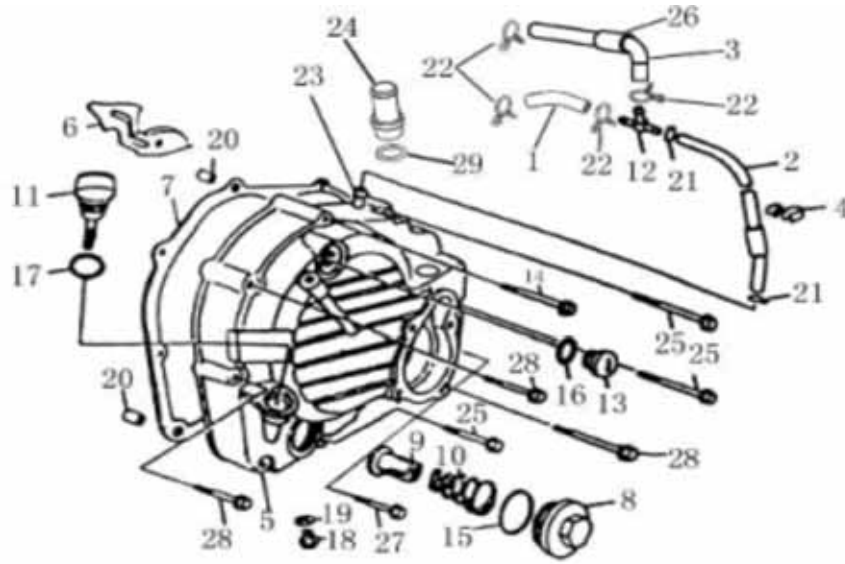


左側蓋总成 LEFT CRANKCASE COVER

LEFT CRANKCASE COVER

PART CATEL

Quantity	Prat No	Prat Name	Chinese Name	Quantity
1	101301-242	L&F CRANKCASE COVER ASSY		1
1	101327-001	WIND-RESIST FENDER		1
3	115200-040	SCREW M6×12	M6×12	3
7	115100-037	BOLT M6×28	M6×28	7
2	115100-004	BOLT M6×35	M6×35	2
2	116108-010	DOWEL PIN φ10×14	φ10×14	2
1	101304-026	LEFT CRANKCASE COVER GASKET		1
1	115100-045	BOLT M6×55	M6×55	1



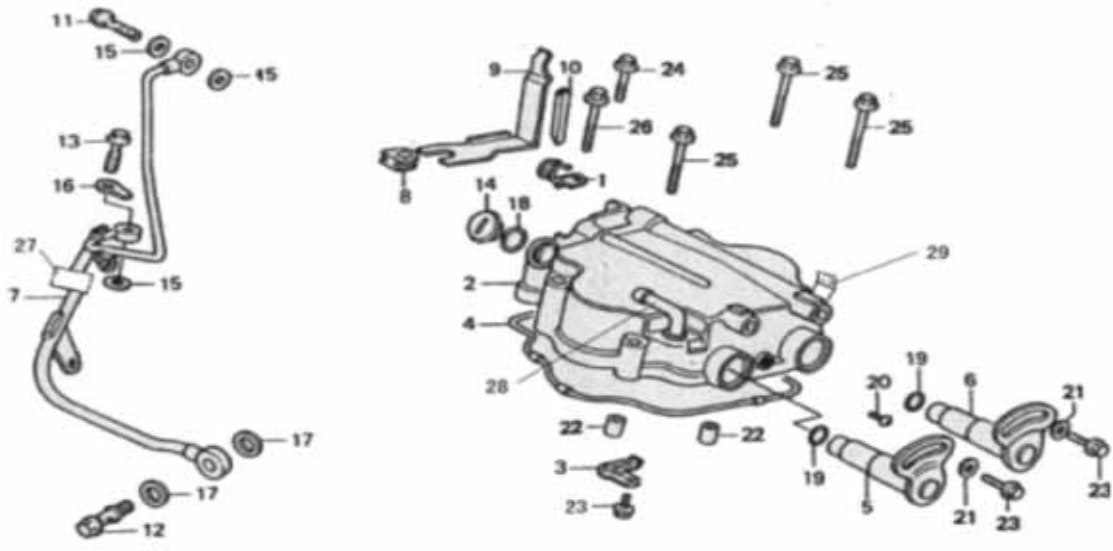
右側油盆总成 RIGHT CRANKCASE COVER

-63-

RIGHT CRANKCASE COVER

PART CATEL

Prat No	Prat Name	Chinese Name	Quantity
101202-024	AIR DRAIN		1
101210-003	BREATHER TUBE		1
101202-025	AIR DRAIN		1
101203-017	HOOP,AIR DRAIN		1
101401-304	RIGHT CRANKCASE COVER ASSY		1
101421-002	CLIP,START MOTOR		1
101403-031	RIGHT CRANKCASE COVER GASKET		1
101117-014	OIL DRAIN PLUG SCREW		1
101130-011	ENGINE OIL FILTER ASSY		1
101116-014	SPRING OIL FILTER		1
100016-018	OIL DIPSTICK		1
101201-010	TIE-IN PIPE		1
101307-015	OBSERVE HOLE COVER		1
115100-061	BOLT M6×80	M6×80	1
101118-010	O-RING φ30×3.55	O φ30×3.55	1
101313-008	O-RING	O	1
101442-013	O-RING φ18×3.55	O φ18×3.55	1
101119-005	DRAIN BOLT M12×1.5	M12×1.5	1
101121-006	WASHER φ12	φ12	1
116108-001	ALINGMENT PIN φ8×14	φ8×14	2
101203-018	HOOP,AIR DRAIN φ10	φ10	2
101203-019	HOOP,AIR DRAIN φ12	φ12	4
101201-011	TIE-IN PIPE		1
101201-012	TIE-IN PIPE		1
115100-006	BOLT M6×40	M6×40	3
101202-026	AIR DRAIN		1
115100-048	BOLT M6×28	M6×28	1
115100-054	BOLT M6×70	M6×70	3
904108-003	RING φ15.8×2.4	O φ15.8×2.4	1

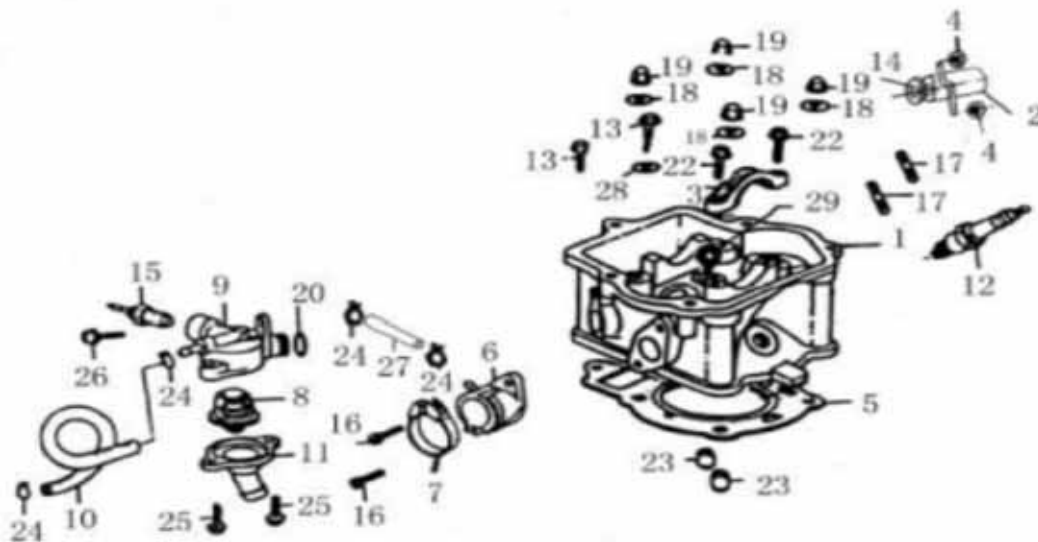


气缸盖罩总成 CYLINDER HEAD COVER

□□□□□□ CYLINDER HEAD COVER

□□□□□□ PART CATEL

□□	□□□□□ Prt No	□□□□□ Prt Name	□□□□ Chinese Name	□□ Quantity
1	101405-012	CLIP,HIGH VOLTAGE WIRE	□□□	1
2	102271-046	CYLINDER HEAD UPPER COVER	□□□□	1
3	102260-005	STOP PLATE	□□	1
4	102275-016	SEAL RING, CYLINDER HEAD UPPER COVER	□□□□□□□	1
5	104413-022	ROCKER ARM SHAFT	□□□□□□□□	1
6	104413-023	ROCKER ARM SHAFT	□□□□□□□□	1
7	101230-009	OIL PIPE UNIT	□□□□□	1
8	101224-003	RUBBER	□□□□	1
9	101322-002	LEADING PLATE AIR DRAIN	□□□□	1
10	102273-001	shock absorber block gine	□□□□	1
11	101232-002	CONNECTING BOLT, OIL PIPE M8×25	□□□□A M8×25	1
12	101232-003	CONNECTING BOLT, OIL PIPE M12×1.25	□□□□B M12×1.25	1
13	101232-004	CONNECTING BOLT, OIL PIPE M8×25	□□□□C M8×25	1
14	101307-015	OBSERVE HOLE COVER	□□□□	1
15	101208-003	GASKET φ8	□□ φ8	3
16	101207-003	GASKET	□□□	1
17	101208-004	GASKET φ12	□□ φ12	2
18	101313-008	O-RING	□□□O□□	1
19	104418-004	O-RING	□□□□□□	2
20	115200-041	SCREW M5×16 D.Cr	□□□□□□ M5×16 D.Cr	1
21	116109-032	WASHER 6 D.Cr	□□ 6 D.Cr	2
22	116108-010	ALIGNMENT PIN φ10×14	□□□ φ10×14	2
23	115100-056	BOLT M6×12	□□M6×12	3
24	115100-025	BOLT M6×25	□□M6×25	1
25	115100-030	BOLT M6×50	□□M6×50	3
26	115100-045	BOLT M6×55	□□M6×55	1
27	101224-004	RUBBER	□□□	1
28	101201-013	TIE-IN PIPE	□□□□□	1
29	101321-007	FIXING PLATE, MAGNETO CABLE	□□□□□□□□	1

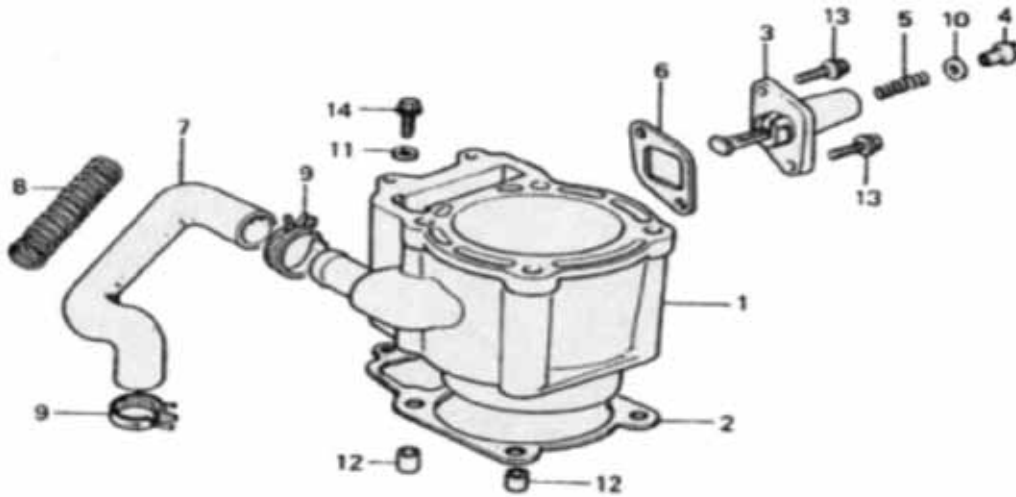


气缸盖总成 CYLINDER HEAD

□□□□ CYLINDER HEAD

□□□□□ PART CATEL

□□	□□□□□ Part No	□□□□□ Part Name	□□□□ Chinese Name	□□ Quantity
1	102240-329	CYLINDER HEAD ASSEMBLY	□□□□□	1
2				
3	102229-003	PRESSURE PLATE	□□□□□	1
5	102230-054	CYLINDER CAP SHIM UNIT	□□□□□□	1
6	100004-039	INTAKE PIPE ASSY	□□□	1
7	118112-005	CIRCLIP,INTAKE PIPE	□□□□□	1
8	114325-004	THERMOSTAT ASSY,COOLING	□□□□□□□	1
9	114501-002	COVER TEMPERATURE SENSOR	□□□□□□	1
10	152001-002	WATER TUBE	□□□□□□□	1
11	114501-003	COVER TEMPERATURE SENSOR	□□□□□□	1
12	102250-024	SPARK PLUG DPR7EA-9 NGK	□□□□□ DPR7EA-9 NGK	1
13	115100-005	BOLT M6×25	□□ M6×25	2
15	114600-002	TEMPERATURE CONTROL	□□□□□	1
16	115400-022	DAMPER M6×18 D.Cr	□□□□□ M6×18 D.Cr	2
17	102222-018	DOUBLE-HEAD SCREW	□□□□□□□	2
18	101208-003	GASKET φ8	□□ φ8	4
19	102218-013	CAP NUT M8	□□□□ M8	4
20	114502-003	O-RING 14.8×1.9	□□□□O□□ 14.8×1.9	1
22	115100-052	BOLT M6×22	□□ M6×22	2
23	116108-010	ALINGMENT PIN φ10×14	□□□ φ10×14	2
24	114001-005	CLAMP QC/T621-1999-A6.5	□□□ QC/T621-1999-A6.5	2
25	115100-015	BOLT M6×16	□□ M6×16	2
26	115100-062	BOLT M6×18	□□ M6×18	1
28	116109-033	WASHER 6 D.Zn	□□ 6 D.Zn	1
29	101126-002	PLUG,OIL M12×1	□□ M12×1	1

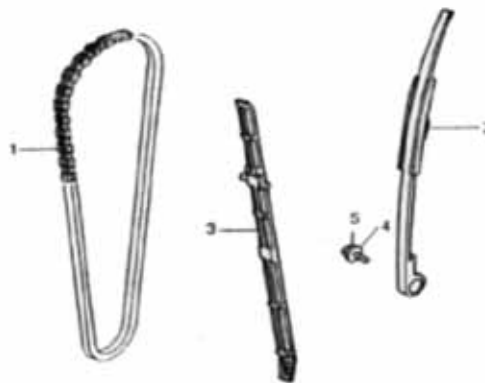


气缸体总成 CYLINDER

气缸体总成 CYLINDER

气缸体总成 PART CATEL

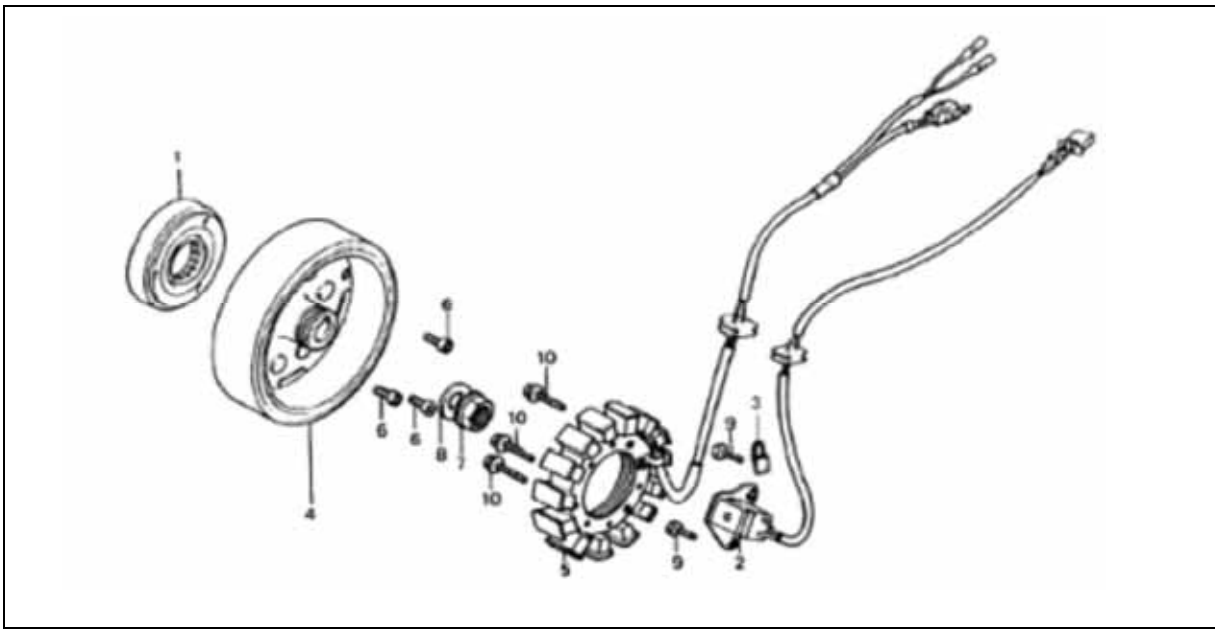
Prat No	Prat No	Prat Name	Chinese Name	Quantity
1	102120-072	CYLINDER UNIT	气缸体总成	1
2	102108-042	CYLINDER SHIM	气缸体垫片	1
3	104200-012	CHAIN TENSIONER	链条张紧器	1
4	116101-038	BOLT	螺栓	1
5	104213-002	HOLISTIC SPRING	整体弹簧	1
6	104209-010	SHIM OF TENSIONER	张紧器垫片	1
7	114020-004	WATER TUBE	水管	1
8	114002-001	WATER PIPE SLEEVE	水管套	1
9	114001-006	CLAMP QC/T621-1999-B24	QC/T621-1999-B24 卡箍	2
10	104224-005	WASHER φ8.5	φ8.5 垫圈	1
11	116109-033	WASHER GB/T848-85 6 D.Zn	GB/T848-85 6 D.Zn 垫圈	1
12	116108-010	ALINGMENT PIN φ10×14	φ10×14 定位销	2
13	115100-062	BOLT M6×18	M6×18 螺栓	2
14	115100-052	BOLT M6×22	M6×22 螺栓	1



凸轮链 CAM CHAIN

凸轮链 PART CATEL

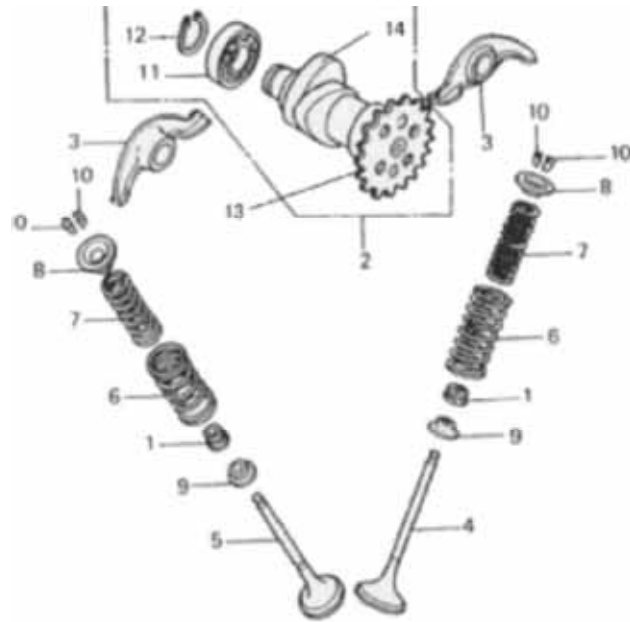
Prat No	Prat No	Prat Name	Chinese Name	Quantity
1	104150-022	TIMING CHAIN	正时链	1
2	104240-003	PLATE,TENIORNER	导板	1
3	104202-022	UPPER GUIDE PLATE ASSEMBLY	上导板总成	1
4	116109-028	WASHER GB96-85-6-D.Zn	GB96-85-6-D.Zn 垫圈	1
5	116101-039	BOLT M6×12-D.Zn	M6×12-D.Zn 螺栓	1



□□□□ MAGNETO COMP

□□□□□ PART CATEL

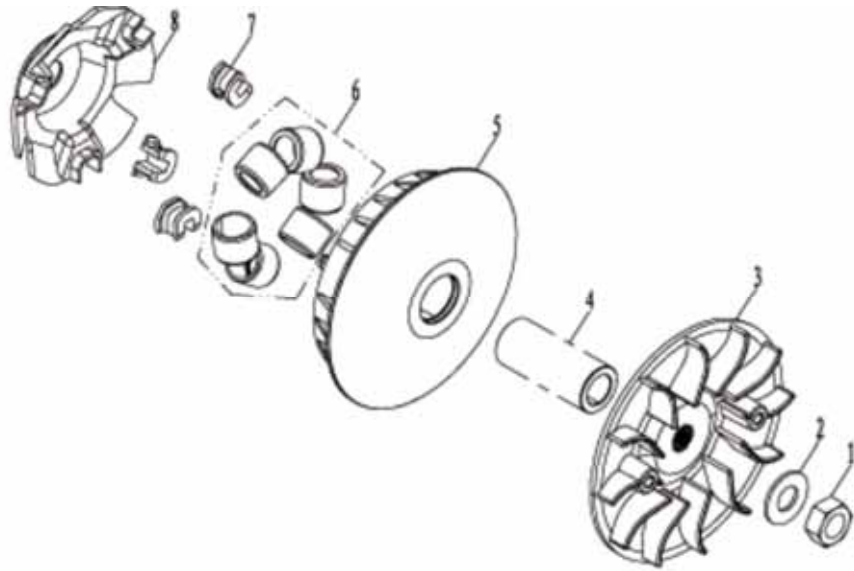
□□	□□□□□ Prat No	□□□□□ Prat Name	□□□□ Chinese Name	□□ Quantity
1	109100-016	CLUTCH OF ELECTIC STARTER ASSY	□□□□□□□	1
2	111300-003	SENDER	□□□□□□	1
3	111202-001	BINDER PLATE,LEAD WIRE	□□□□	1
4	111100-040	ROTOR ASSEMBLY	□□□□□□□	1
5	111200-125	STATOR ASSEMBLY	□□□□□□□	1
6	115400-010	DAMPER M8×18	□□□□□ M8×18	3
7	103208-002	NUT,MAGNETO M16×1	□□ M16×1	1
8	116109-035	WASHER φ16.3×φ30×3	□□ φ16.3×φ30×3	1
9	115100-020	BOLT M5×16	□□ M5×16	2
10	115100-018	BOLT M6×30	□□ M6×30	3



VALVE MECHANISM

PART CATEL

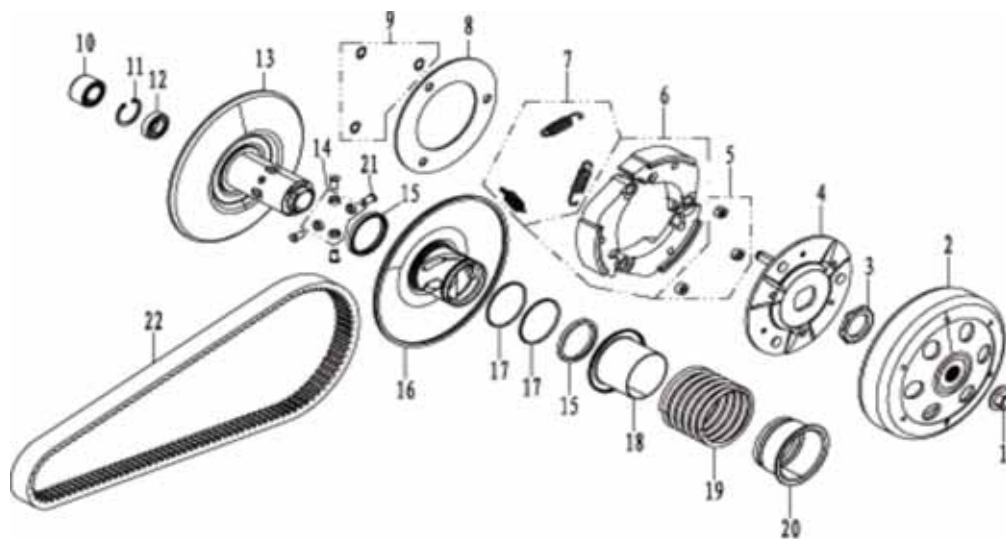
Prat No	Prat Name	Chinese Name	Quantity
104310-021	VALVE STEM OIL SEAL		2
104130-053	CAMSHAFT UNIT		1
104411-009	VALVE ROKCER ARM		2
104301-033	AIR INTAKE VALVE		1
104302-033	AIR EXHAUST VALVE		1
104304-021	VALVE OUTER SPRING		2
104303-020	VALVE INNER SPRING		2
104306-018	VALVE SPRING SEAT		2
104307-021	VALVE SPRING COVER		2
104308-020	VALVE LOCK CLIP		4
902012-061	BEARING 16002	16002	2
104133-004	CIRCLIP-CAMSHAFT GB894.1-86-15	GB894.1-86-15	1
104101-012	TIMING DIRVEN SPROCKET		1
104131-006	CAMSHAFT		1



□□□□□ Gearbox

□□□□□□ PART CATEL

□□	□□□□□ Prat No	□□□□□ Prat Name	□□□□ Chinese Name	□□ Quantity
1	106111-012	NUT M14×1.5	□□ M14×1.5	1
2	116109-028	WASHER φ14.5×φ30×2	□□ φ14.5×φ30×2	1
3	109316-003	LEAF PLATE DRIVEN	□□□□	1
4	109317-003	BUSH,LEAF PLATE	□□	1
5	109318-003	DRIVEN PLATE SLIPAGE	□□□□□□	1
6	109319-003	ROLLER DRIVEN	□□	6
7	109325-003	SIDE,BRAE PLATE	□□	3
8	109324-003	BRAE PLATE	□□□	1



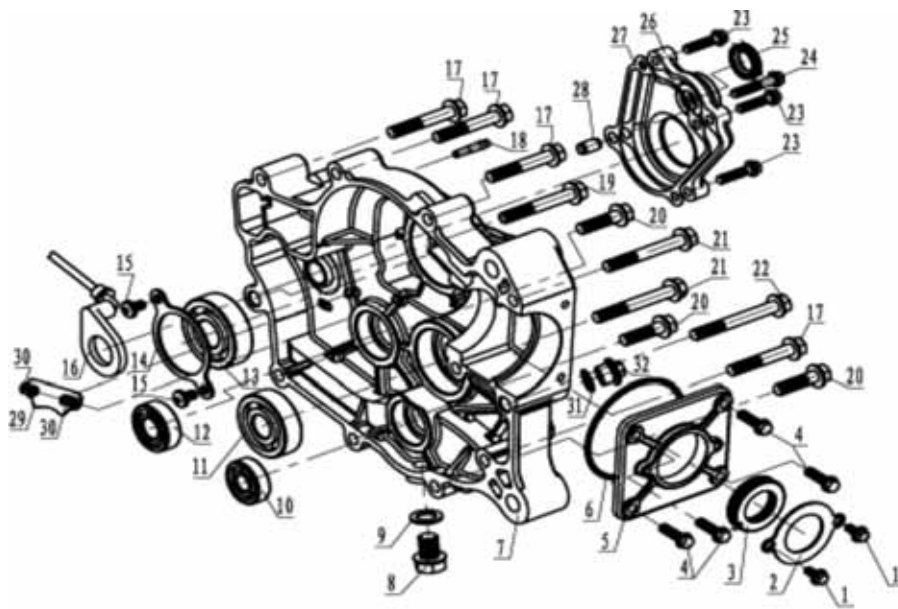
离合器总成 CLUTCH

-74-

□□□□ CLUTCH

□□□□□ PART CATEL

□□	□□□□□ Prat No	□□□□□ Prat Name	□□□□ Chinese Name	□□ Quantity
1	106111-013	NUT M12×1.25	□□ M12×1.25	1
2	106262-005	OUTER COVER,CLUTCH	□□□□□□	1
3	106111-014	NUT M30×1	□□□ M30×1	1
4	106211-002	DRIVEN PLATE	□□□	1
5	106263-002	SHOCK BOOT	□□□□	3
6	106271-003	WEIGHT,CLUTCH	□□□□□	3
7	106247-017	CLUTCH SPRING	□□□□□	3
8	106212-002	SIDE PLATE	□□□□□	1
9	106006-002	O CLIP 9	□□ 9	3
10	902012-062	BEARING 22×29×18	□□□□ 22×29×18	1
11	106043-001	O CLIP GB/T893.1-1986-28	□□□□□□ GB/T893.1-1986-28	1
12	902012-063	BEARING GB/T 278-1989-1060902	□□ GB/T 278-1989-1060902	1
13	106042-002	PULLEY SET DRIVEN	□□□□□	1
14	106033-002	BALL	□□□□	4
15	106037-003	OIL SEAL	□□□□□	2
16	106031-002	PULLEY SET DRIVEN	□□□□□□□□	1
17	904108-004	O-RING 46.2×1.8	O□□□□ 46.2×1.8	2
18	106035-002	SLEEVE OIL SEAL	□□□□	1
19	106034-003	DRIVEN SPRING	□□□□	1
20	106036-003	SLEEVE	□□	1
21	106032-002	PIN	□□□	4
22	106005-004	BELT DRIVEN 24.2×868	□□□□24.2×868	1



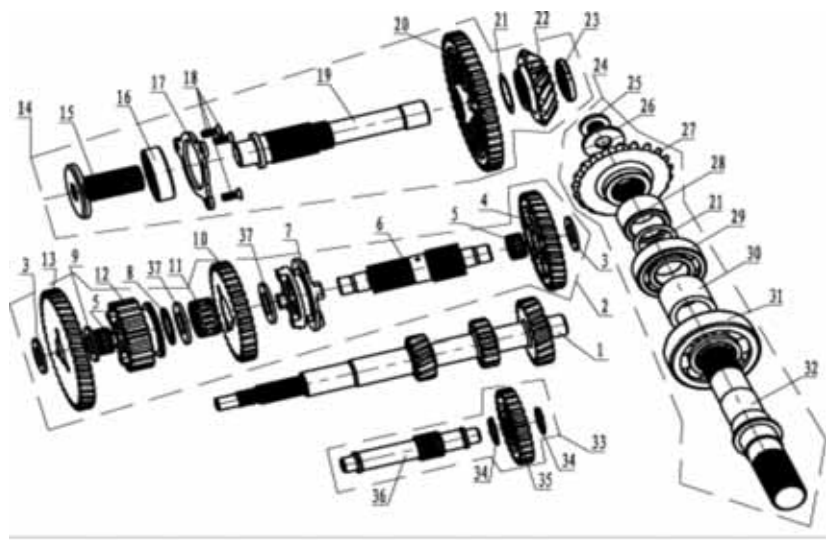
齿轮箱盖总成 Gearbox Cover

-76-

□□□□□ Gearbox Cover

□□□□□ PART CATEL

□□	□□□□□ Prat No	□□□□□ Prat Name	□□□□ Chinese Name	□□ Quantity
1	115100-063	BOLT M5×10	□□ M5×10	2
2	107220-004	PRESSURE PLATE	□□□□	1
3	107230-019	COUNTERSHAFT OIL SEAL 27×42×7	□□ 27×42×7	1
4	115100-016	BOLT M8×25	□□ M8×25	4
5	107308-003	COVER GEAR	□□□□	1
6	904108-005	O-RING φ73×2.65	O□□□□ φ73×2.65	1
7	107308-004	COVER GEAR	□□□□	1
8	101119-005	DRAIN BOLT M12×1.5	□□□□ M12×1.5	1
9	101121-006	WASHER φ12	□□ φ12	1
10	902012-059	BEARING 6201	□□ 6201	1
11	902012-064	BEARING 6303	□□ 6303	1
12	902012-060	BEARING 6202-RS	□□ 6202-RS	1
13	902012-031	BEARING 6304	□□ 6304	1
14	107111-004	MAIN AXLE BEARING PRESSURE PLATE	□□□□	1
15	115200-042	SCREW M6×10	□□ M6×10	2
16	113201-002	FENDEER SIGNAL	□□□□□	1
17	116101-040	BOLT M8×48	□□ M8×48	4
18	101201-014	TIE-IN□PIPE	□□□□□	1
19	116101-041	BOLT M8×55	□□ M8×55	1
20	116101-032	BOLT M8×30	□□ M8×30	3
21	116101-042	BOLT M8×60	□□ M8×60	2
22	116101-043	BOLT M8×65	□□ M8×65	1
23	115100-022	BOLT M6×25	□□ M6×25	3
24	115100-002	BOLT M6×32	□□ M6×32	1
25	107313-004	OIL SEAL SD 15×25×5	□□ SD 15×25×5	1
26	107308-005	COVER GEAR	□□□□□□□□	1
27	101134-004	MAIN SHAFT WASHER	□□□□□□□□	1
28	116108-017	ALINGMENT PIN φ8×14	□□□ φ8×14	1
29	107224-004	LIMIT PLATE	□□□	1
30	115200-021	SCREW M4×12	□□ M4×12	2
31	904108-006	O-RING φ19×2.5	O□□□□ φ19×2.5	1
32	116101-028	BOLT M20×1.5×12	□□□□ M20×1.5×12	1

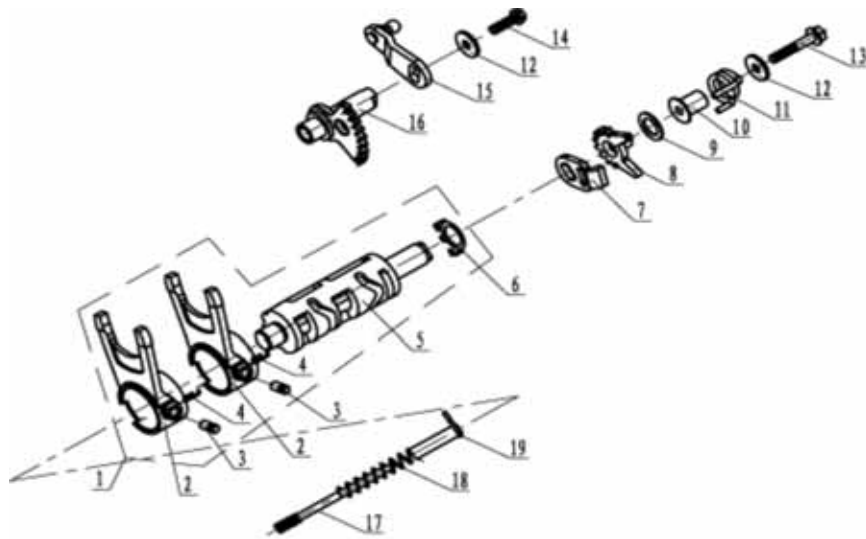


变速齿轮总成 Ratio Gear Assy

Ratio Gear Assy

PART CATEL

Prat No	Prat Name	Chinese Name	Quantity
1	MAIN SHAFT		1
2	ASSEMBLY, COUNTERSHAFT		1
3	WASHER $\phi 15 \times \phi 28 \times 2$	$\phi 15 \times \phi 28 \times 2$	2
4	DRIVEN GEAR,HIGH SPEED		1
5	BEARING K16 \times 20 \times 10	K16 \times 20 \times 10	2
6	COUNTER AXLE UNIT		1
7	COUNTER SHAFT BUSH		1
8	CIRCLIP GB/T894.1-86-24	GB/T894.1-86-24	1
9	WASHER $\phi 16 \times \phi 28 \times 2$	$\phi 16 \times \phi 28 \times 2$	1
10	DRIVEN GEAR,REVERSE GEAR		1
11	BEARING K24 \times 28 \times 10	K24 \times 28 \times 10	1
12	OUTPUT DRIVE GEAR		1
13	DRIVEN GEAR,LOW SPEED		1
14	OUTPUT SHAFT		1
15	BOLT		1
16	BEARING 6304	6304	1
17	BEARING PLATE		1
18	SCREW M6 \times 16	M6 \times 16	3
19	OUTPUT SHAFT		1
20	OUTPUT DRIVEN GEAR		1
21	ADJUSTING GASKET		1
22	DRIVING GEAR		1
23	NUT M22 \times 1	M22 \times 1	1
24	OUTPUT SHAFT		1
25	BOLT M12 \times 1.25	M12 \times 1.25	1
26	WASHER $\phi 12.5 \times \phi 31 \times 3$	$\phi 12.5 \times \phi 31 \times 3$	1
27	DRIVEN ANGLE GEAR		1
28	BUSHING 25 \times 62 \times 17	25 \times 62 \times 17	1
29	BEARING 6305	6305	1
30	BUSHING		1
31	BEARING 28 \times 68 \times 18	28 \times 68 \times 18	1
32	OUTPUT SHAFT		1
33	ASSEMBLY IDLE GEAR CONP		1
34	THRUST WASHER GB/T894.1-1986 20	GB/T894.1-86-20	2
35	MIDDLE DRIVE GEAR		1
36	MIDDLE DRIVE SHAFT		1
37	WASHER $\phi 24 \times \phi 33 \times 2$	$\phi 24 \times \phi 33 \times 2$	2



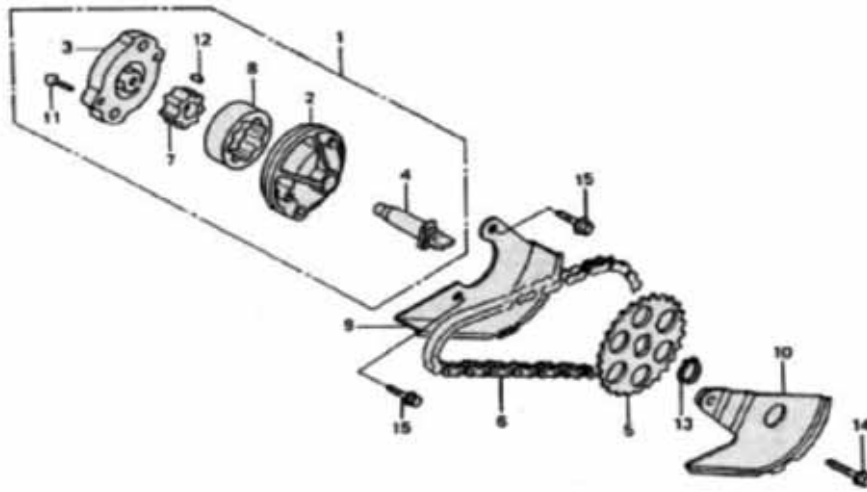
变档操纵总成 Gear-Shift Control Assy

-82-

□□□□□ Gear-Shift Control Assy

□□□□□ PART CATEL

□□	□□□□□ Prat No	□□□□□ Prat Name	□□□□ Chinese Name	□□ Quantity
1	108110-041	GEARSHIFT DRUM	□□□□□	1
2	108120-004	GEARSHIFT FORK	□□	2
3	108124-003	GUIDE PIN	□□□	2
4	108125-003	CLAMP	□□□□□	2
5	108111-015	SHIFT CAM	□□□	1
6	113202-007	SHAFT CONTACT	□□□□	1
7	108222-003	STOPPER LEVER	□□□□□□□□	1
8	108211-001	SECTOR GEAR,DRIVING SHIFT	□□□□□□□□	1
9	116109-041	WASHER φ13.5×φ22×1	□□ φ13.5×φ22×1	1
10	108213-001	SECTOR GEAR AXLE,DRIVEN SHIFT	□□□□□□□□□	1
11	108225-002	LIMIT LEVER SPRING	□□□□□□□□	1
12	108208-006	WASHER φ6.6×φ20×2	□□ φ6.6×φ20×2	2
13	115100-004	BOLT M6×35	□□ M6×35	1
14	115100-023	BOLT M6×20	□□ M6×20	1
15	108203-007	LEVEL, GEARSHIFT	□□□□	1
16	108212-001	SECTOR GEAR,DRIVEN SHIFT	□□□□□□□□	1
17	108221-008	GEARSHIFT SHAFT	□□□	1
18	108204-014	SHIFT TORSION SPRING	□□□□□□	1
19	108214-001		□□□□□□□	1



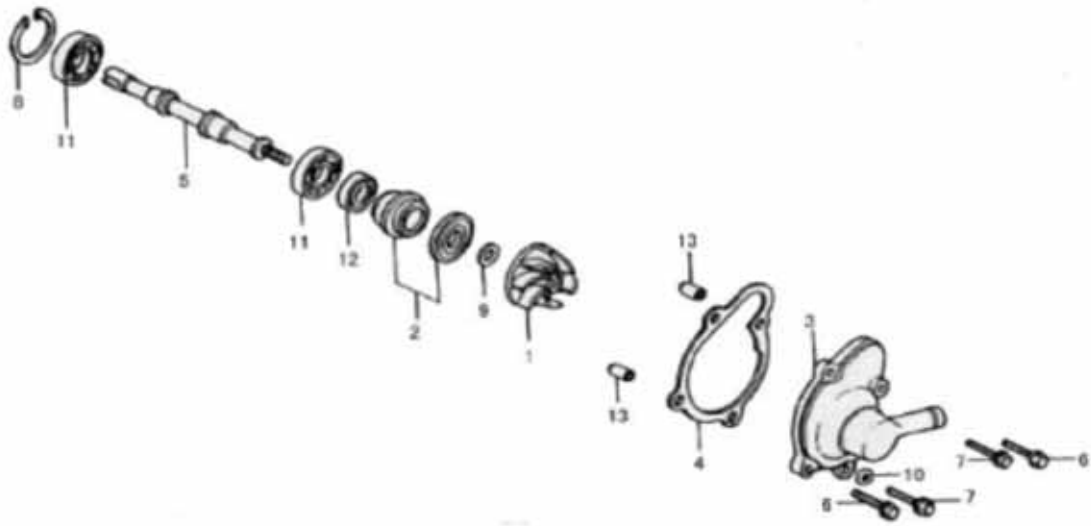
机油泵总成 OIL PUMP

-84-

机油泵 OIL PUMP

零件目录 PART CATEL

序号	零件号 Part No	零件名称 Part Name	中文名称 Chinese Name	数量 Quantity
1	105110-046	ENGINE OIL PUMP	机油泵	1
2	105116-012	OIL PUMP CASING	油泵壳	1
3	105117-013	OIL PUMP COVER	油泵盖	1
4	105115-011	DRIVE SHAFT, GEAR	驱动轴	1
5	105101-006	DRIVEN GEAR,OIL PUMP	从动齿轮	1
6	105109-002	DRIVEN CHAIN	从动链	1
7	105112-013	INNER ROTOR,OIL PUMP	内转子	1
8	105113-013	OUTER ROTOR,OIL PUMP	外转子	1
9	105124-001	SEPARATOR A,OIL PUMP	分离器A	1
10	105124-002	SEPARATOR B,OIL PUMP	分离器B	1
11	115200-044	SCREW M3×12	M3×12 螺钉	1
12	116108-018	ALINGMENT PIN φ4×6.5	φ4×6.5 对位销	1
13	105122-002	CIRCLIP 10	10 卡簧	1
14	115100-010	BOLT M6×12	M6×12 螺栓	1
15	115100-048	BOLT M6×28	M6×28 螺栓	2

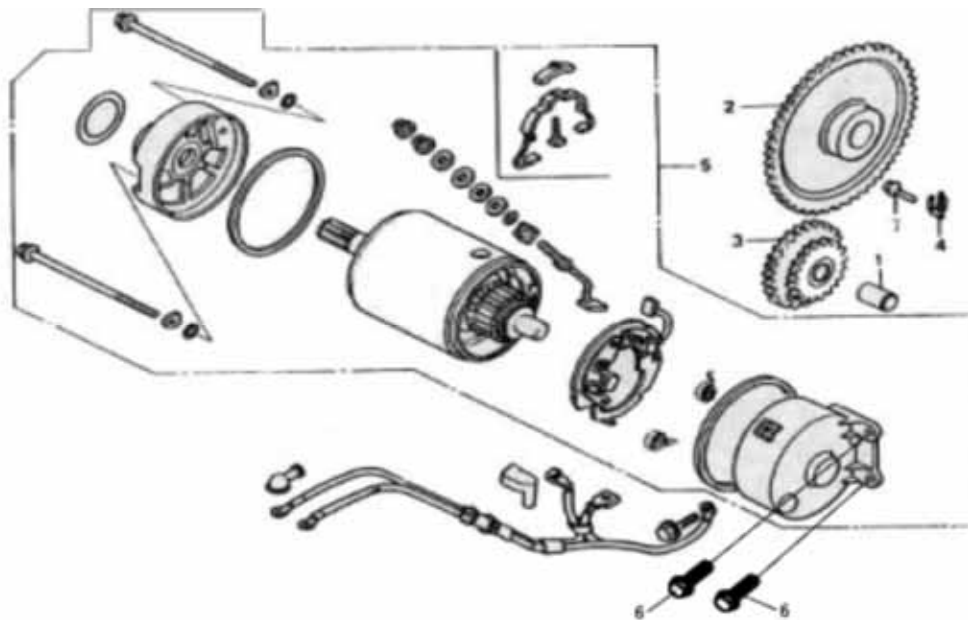


水泵总成 WATER COOLING SYSTEM

□□□□ WATER COOLING SYSTEM

□□□□□□ PART CATEL

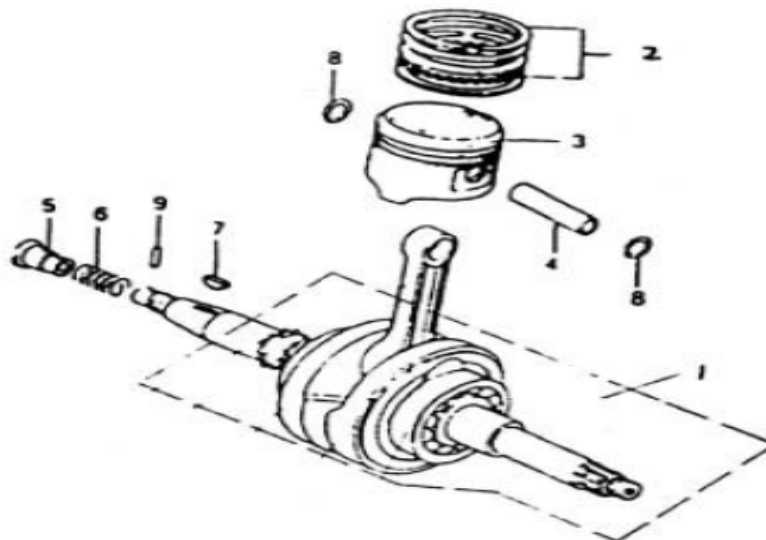
□□	□□□□□ Prat No	□□□□□ Prat Name	□□□□ Chinese Name	□□ Quantity
1	114321-006	VANE WHEEL WATER PUMP	□□□□	1
2	114323-004	MECHANISM SEAL ASSY	□□□□	1
3	101411-009	WATER PUMP COVER	□□□	1
4	114327-002	O-RING	□□□□□	1
5	114322-006	SHAFT , WATER PUMP	□□□	1
6	115100-006	BOLT M6×40	□□ M6×40	2
7	115100-005	BOLT M6×25	□□ M6×25	2
8	105122-003	CIRCLIP 19	□□ 19	1
9	116109-042	WASHER φ7.5×φ13×1.2	□□ φ7.5×φ13×1.2	1
10	116109-043	WASHER φ6×φ12×1	□□ φ6×φ12×1	1
11	902012-069	BEARING 6800	□□□□ 6800	2
12	107313-005	OIL SEAL 10×20×5	□□ 10×20×5	1
13	116108-017	ALINGMENT PIN φ8×14	□□□ φ8×14	2



□□□□□□ ELECTRIC STARTING MECHANISM

□□□□□ PART CATEL

□□	□□□□□ Prat No	□□□□□ Prat Name	□□□□ Chinese Name	□□ Quantity
1	109221-013	DOUBLE GEAR SHAFT ASSY	□□□□□	1
2	109210-017	GEAR UNIT OF ELECTRIC STARTER	□□□□□□	1
3	109231-013	BIG DOUBLE GEAR ASSY	□□□□□□	1
4	109201-005	RETAINER	□□□	1
5	112000-124	STARTING MOTOR	□□□□□□	1
6	115100-052	BOLT M6×22	□□ M6×22	2
7	115100-064	BOLT M6×14	□□ M6×14	1



□□□□□□ crank connecting rod assy

□□□□□□ PART CATEL

□□	□□□□□ Prat No	□□□□□ Prat Name	□□□□ Chinese Name	□□ Quantity
1	103200-089	CRANK CONNECTING ROD ASSY	□□□□□□	1
2	103120-041	PISTON RING ASSEMBLY	□□□□□□	1
3	103101-052	PISTON	□□	1
4	103102-030	PISTON PIN	□□□	1
5	103226-003	OIL PIPE	□□□□	1
6	103227-004	SPRING, OIL PIPE	□□□□□□	1
7	103203-021	WOODRUFF KEY	□□□	1
8	103103-025	CIRCLIP, PISTON PIN	□□□□□	2
9	103211-001	COLUMN PIN	□□□	1