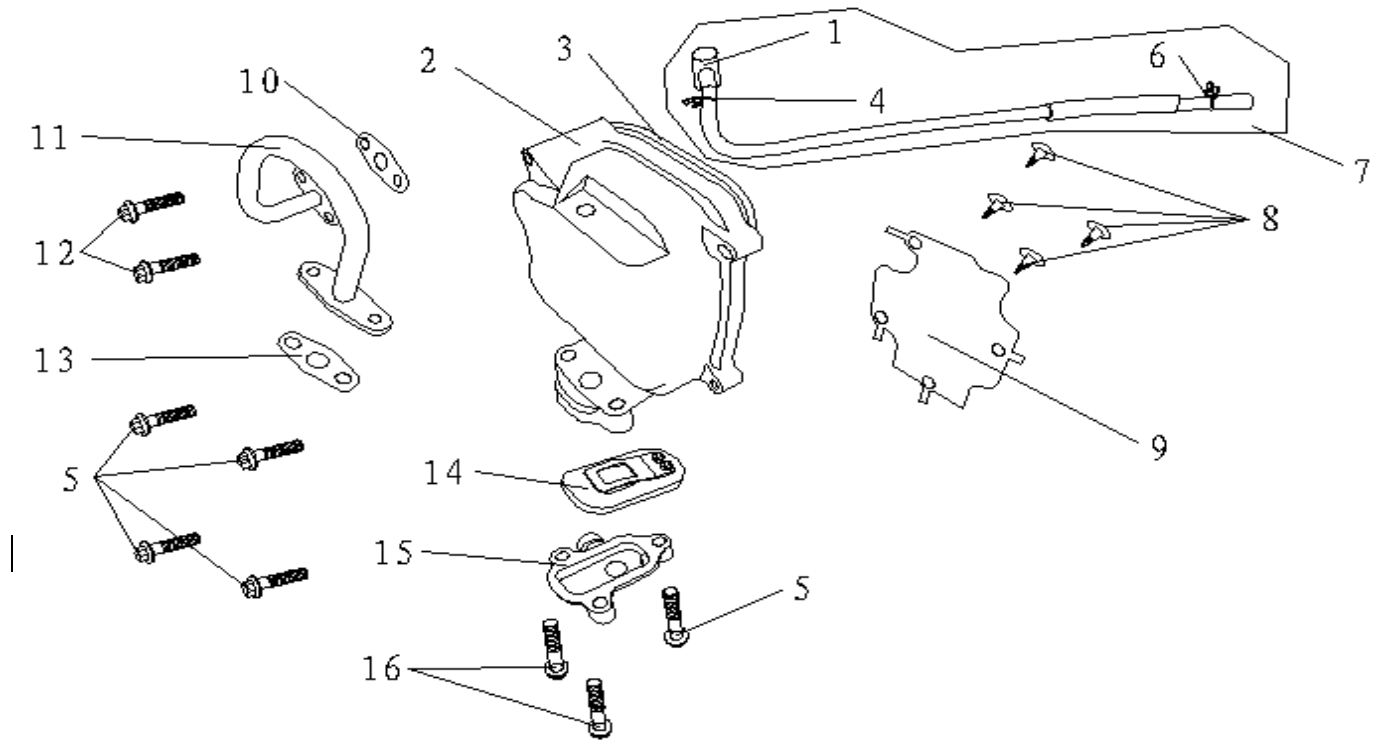


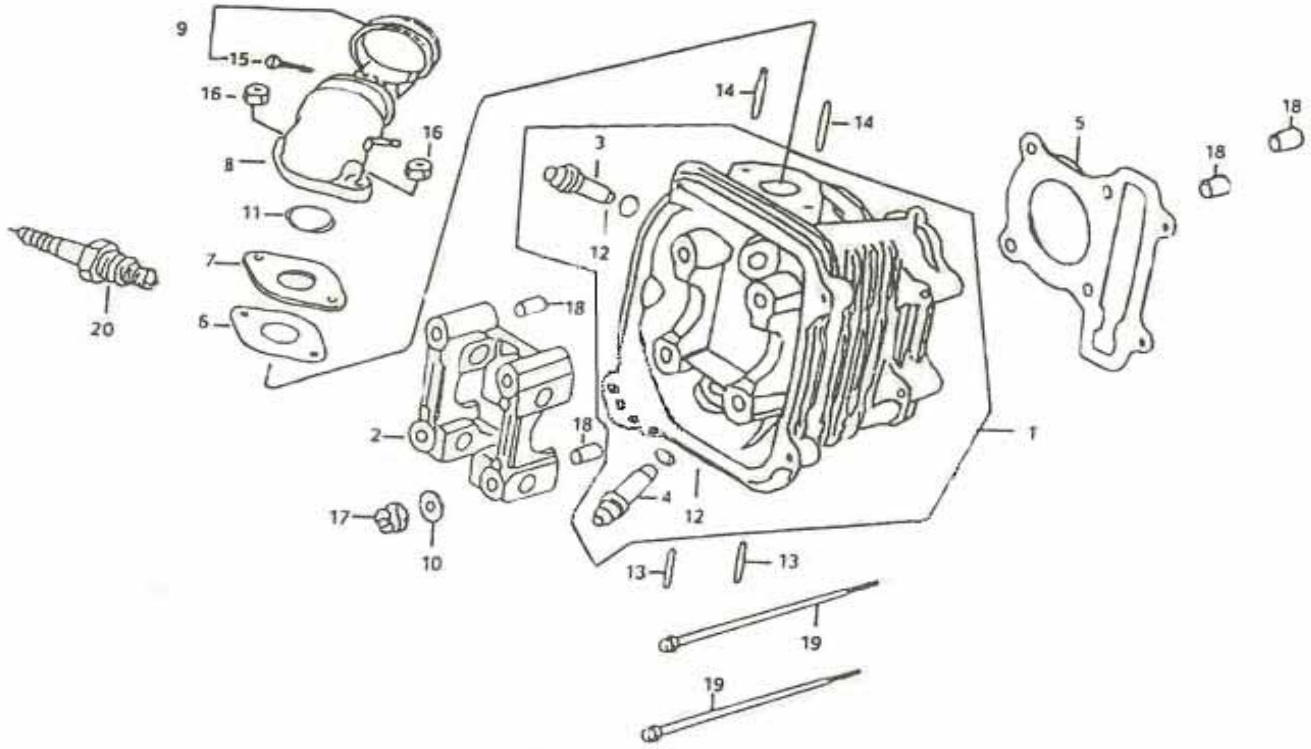
Fan Cover Shroud

RefNo.	Elsődleges cikk	Másodlagos cikk	Chinese Description	English Description	Q'ty
1	101418-001	191000-09		CLAMPER BREA THER TUBE	1
2	101419-001	191000-07		COVER CLMPPAN	1
3	101421-001	191000-08		CLAMPER STARTER CABLE	1
4	101422-001	komplett		DUC CARBURETOR COOLING	1
5	101423-001	191000-01	A	SHROUDA	1
6	101424-001	komplett		DUCT SHROUD	1
7	101425-001	komplett	A	SEAL SHROUD A	1
8	101426-001	191000-04	B	SHROUD COMP B	1
9	101405-009	nincs		CLIP HIGH TENSION CORD	1
10	101427-001	komplett	B	SEAL SHROUD B	1
11	101428-001	komplett		CROMMET SIDE PANEL	1
12	906176-030	más méret	ST5x12	SCREW TAPPING ST5x12	1
13	906176-031	más méret	ST5x16	SCREW TAPPING ST5x16	4
14	906104-111	191000-03	M6x25	BOLTED FLANGE M6x25	3
15	101114-005	191000-06		CLAMPER CABB DRAIN TUBE	1
16	101429-001	komplett	B	CROMMET SHROUD (B)	1

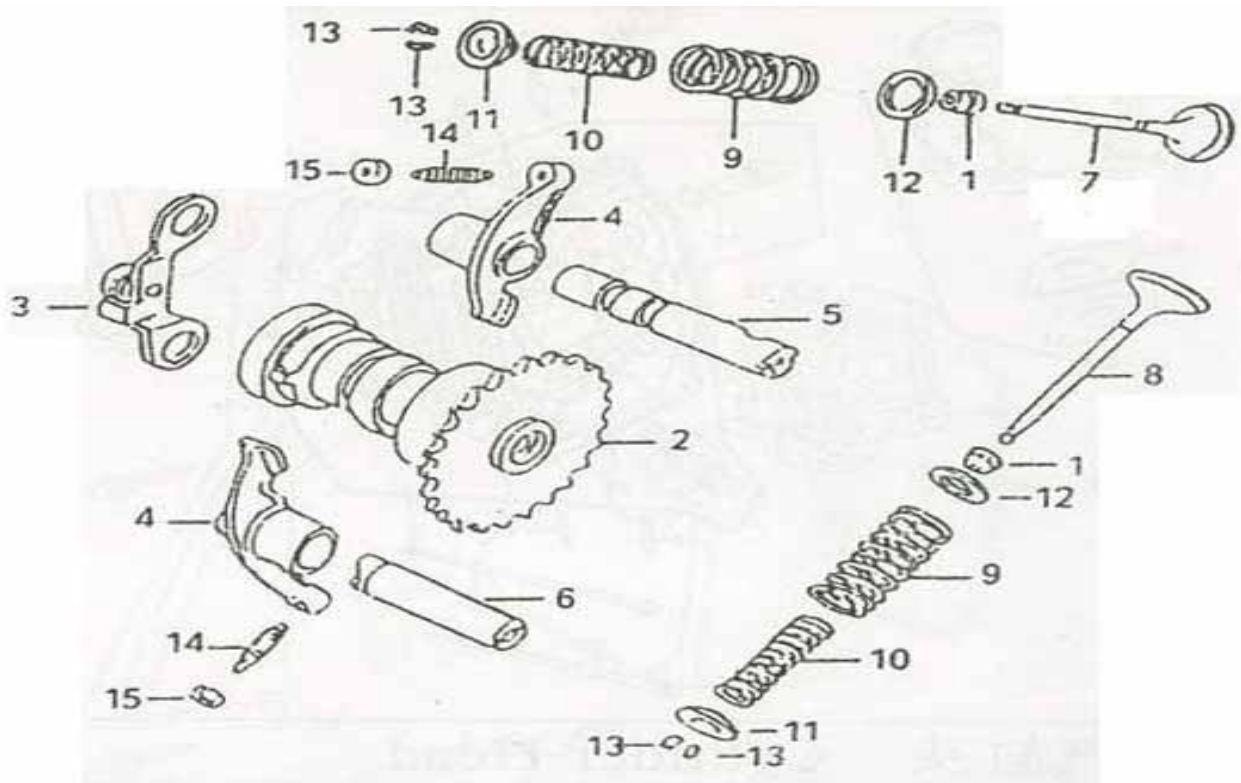


RefNo.	Part No.		Chinese Description	English Description	Q'ty	
1	101201-004	nincs		TUBE BREA TEHER	1	
2	102271-035	121000-01		COVER COMP CYLINDER HEAD	1	
3	102275-008	121000-02		CASKET HEAD COVER	1	
4	101203-006	nincs	D8.5	CLAMP TUBE (D8.5)	1	
5	906104-112	121000-05	M6x25	BOLTED FLANGE M6x25	5	
6	101203-007	nincs	D12	CLAMP TUBE (D12)	1	
7	101202-009	121000-03		TUBE ASSY BREATHER	1	
8	906176-032	nincs	ST4x8	SCREW TAPPING ST4x8	4	
9	102227-002	komplett		PLATEL COVER	1	
10	102231-001	komplett	A	CLAMP VALVE TUBE A MAP	1	
11	102232-001	komplett		CLAMP VALVE TUBE	1	
12	906104-121	komplett	M6x18	BOLTED FLANGE M6x18	2	
13	102233-001	komplett	B	CLAMP VALVE TUBE B MAP	1	
14	102234-001	komplett		LANGUETTE VALVE ASSY	1	
15	102235-001	komplett		LANGUETTE VALVE COVER	1	
16	906104-124	komplett	M6x40	BOLTED FLANGE M6x40	2	

Cylinder Head

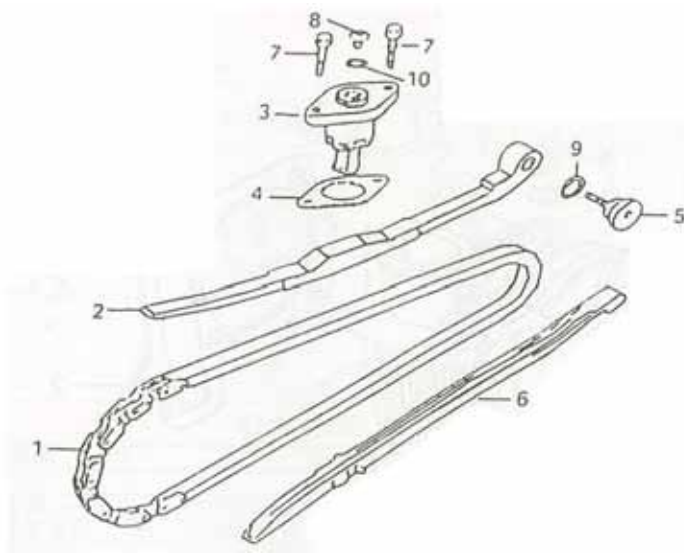


RefNo.	Part No.		Chinese Description	English Description	Q'ty
1	102240-289	121000-06		HEAD COMP CYLINDER	1
2	102228-001	142000-05		HOLDER CAMSHAFT	1
3	102244-010	komplett		GUIDE IN VALVE	1
4	102244-011	komplett		GUIDE EXUALVE	1
5	102230-035	121000-14		GASKER CYLINDER HEAD	1
6	118101-001	121000-20		CASKER CARBURETOR INSULATOR	1
7	118201-006	121000-21		INSULATOR CARBURETOR	1
8	100004-028	121000-22		PIPE COMP IN	1
9	118112-001	nincs		BAND IN SULATOR	1
10	906150-015	121000-25	8	WASHER 8	4
11	118113-007	nincs	O 27x2.0	O-RING 27x2.0	1
12	102245-001	komplett	O 9x1.6	O-RING 9x1.6	2
13	102222-009	121000-18	M6x32	BOLT 2 STUD M6x32	2
14	118114-003	121000-19	M6x60	BOLT 2 STUD M6x63	2
15				do not exist	
16	906161-013	121000-23	M6	NUT M6	2
17	906161-014	121000-26	M8	NUT M8	4
18	906184-001	nincs	10x16	PIN DOWEL 10x16	4
19	906104-113	121000-17	M6x100	BOLTED FLANGE M6x100	2
20	102250-010	121000-16	A7TC A7RTC	PLUG SPARK A7TC A7RTC	1



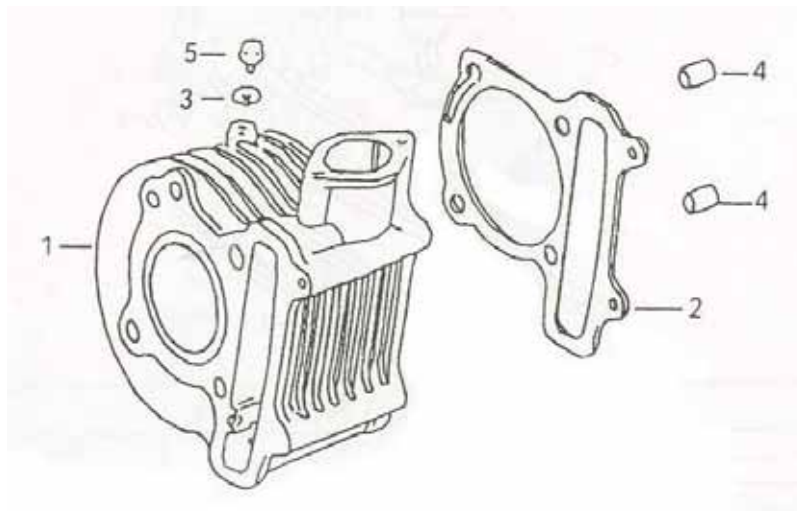
Camshaft Val ve

RefNo.	Part No.		Chinese Description	English Description	Q'ty
1	104310-007	121000-12		SEAL VALVE STEM	2
2	104130-041	141000-01		CAMSHAFT COMP	1
3	102260-002	nincs		PLATE COMP STOPPER	1
4	104411-003	142000-03/04		ARM VALVE ROCKER	2
5	104413-008	142000-01		SHAFT COMP IN ROCKER APM	1
6	104413-009	142000-02		SHAFT EX ROCKER	1
7	104301-018	121000-13		VALVE IN	1
8	104302-018	121000-13		VALVE EX	1
9	104304-009	121000-09		SPRING VALVE OUTER	2
10	104303-009	121000-10		SPRING VALVE INNER	2
11	104307-007	121000-08		RETINER VALVE SPRING	2
12	104306-005	121000-11		SEAT VAVE SPRING OUTER	2
13	104308-007	121000-07		COTTER VELVE	4
14	104415-003	komplett		SCREW TAPPET ADJUSTING	2
15	104416-003	komplett		NUT TAPPET ADJUSTING	2



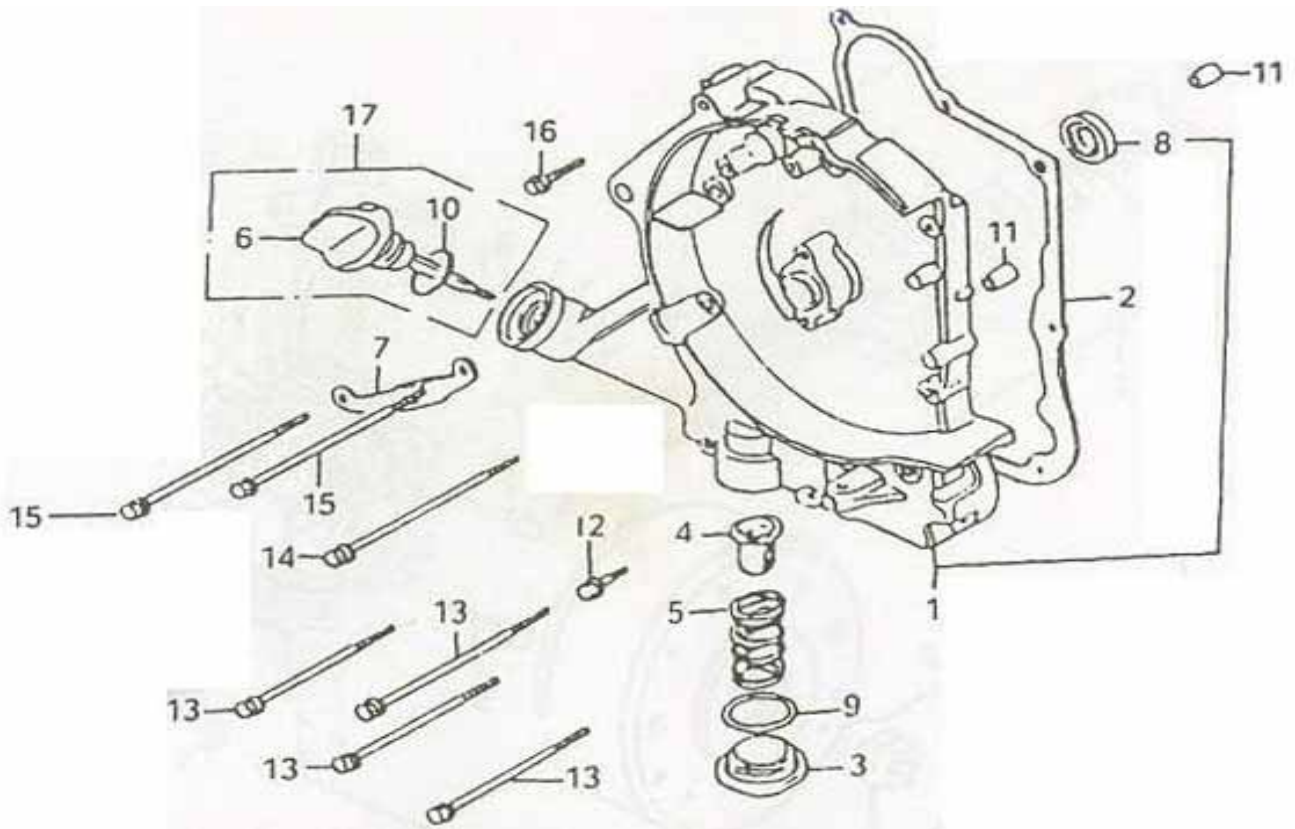
Cam Chain Tensioner

RefNo.	Part No.		Chinese Description	English Description	Q'ty
1	104150-011	143000-03		CHAIN CAM	1
2	104201-009	143000-01		TENSIONER CAM CHAIN	1
3	104200-003	122000-05		LIFTER ASSY TENSIOER	1
4	104209-004	122000-04		GASKET TENSILNER LIFTER	1
5	104225-001	143000-04		PIVOT CAM CHAIN TENSIONER	1
6	104202-009	143000-02		GUIDE COMP CAM CHAIN	1
7	906104-114	122000-06	M6x22	BOLTED FLANGE M6x22	2
8	906176-033	nincs	M6x6	BOLTED FLANGE M6x6	1
9	104226-001	143000-05	O 15.5x1.5	O-RING 15.5x1.5	1
10	104226-002	nincs	O 9.5x1.5	O-RING 9.5x1.5	1



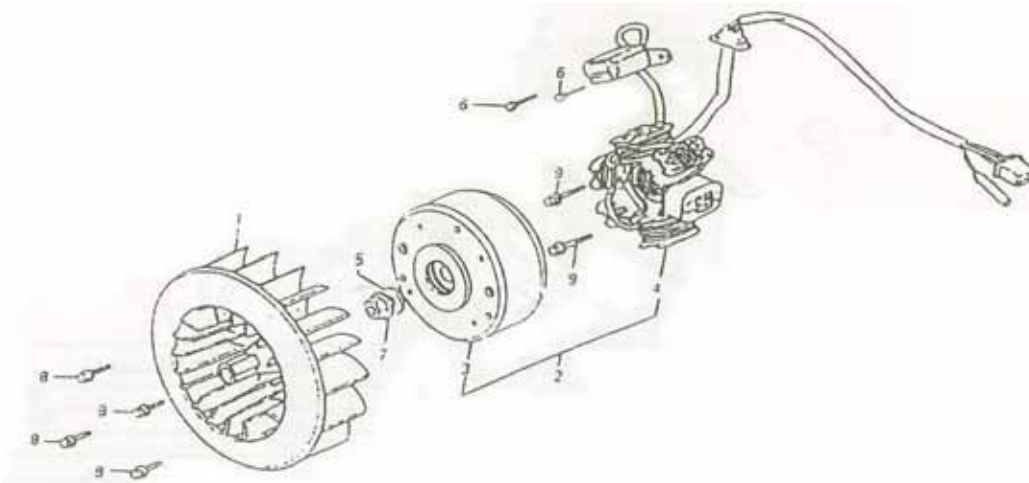
Cylinder

RefNo.	Part No.		Chinese Description	English Description	Q'ty
1	102120-050	122000-01		CYLINDER COMP	1
2	102108-023	122000-07		GASKET CYINDER	1
3	102124-001	122000-02		WASHER SEALNG	1
4	906184-001	122000-08	10x16	PIN DOWEL 10x16	2
5	906104-115	122000-03	M6x12	BOLTED FLANGE M6x12	1



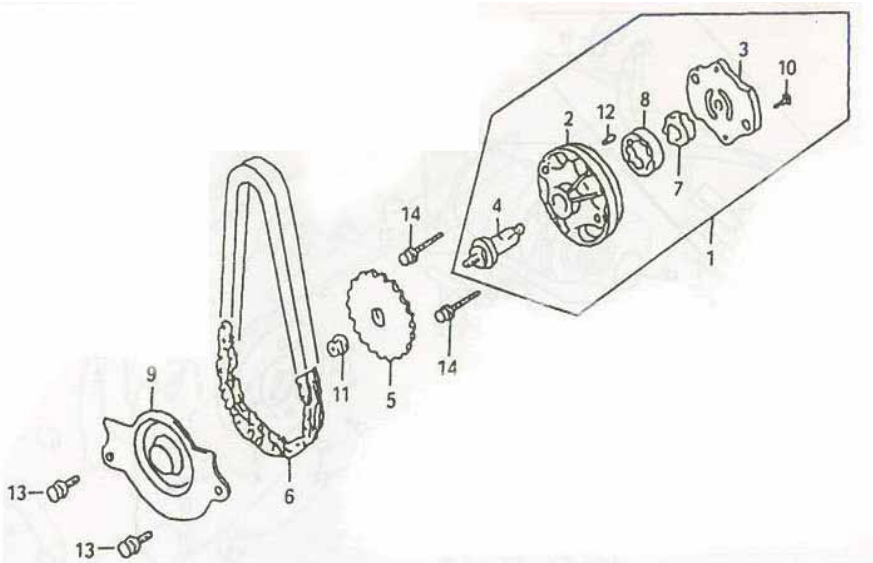
Right Crankcase

RefNo.	Part No.		Chinese Description	English Description	Q'ty
1	101401-280	113000-01		COVER RCRANKCASE COEP	1
2	101403-017	113000-02		GASKET RCRANKCASE COEP	1
3	101117-006	JL153000-01		CAP TAPPET ADJUSTNG HOLE	1
4	101130-005	153000-04		SCREEN OIL FILTER	1
5	101116-006	153000-03		SPRING OIL FILTER SCREEN	1
6	100016-005	komplett		GAUGE OIL LEVEL	1
7	101321-001	113000-09		CLAMPER A.C.GENRATOR CORD	1
8	101233-001	113000-03	19.8x30x5	DIL SEAL 19.8x30x5	1
9	101118-003	153000-02	O 30.8x3.1	O-RING 30.8x3.1	1
10	101442-004	komplett	O 18x3	O-RING 18x3	1
11	906184-002	113000-04	8x14	PIN DOWEL 8x14	2
12	906104-116	nincs	M6x32	BOLTED FLANGE M6x32	1
13	906104-117	113000-05	M6x95	BOLTED FLANGE M6x95	4
14	906104-118	113000-07	M6x100	BOLTED FLANGE M6x100	1
15	906104-119	113000-06	M6x110	BOLTED FLANGE M6x110	2
16	906104-120	113000-08	M6x40	BOLTED FLANGE M6x40	2
17	101440-003	153000-05		GAUGE ASSY OIL	1



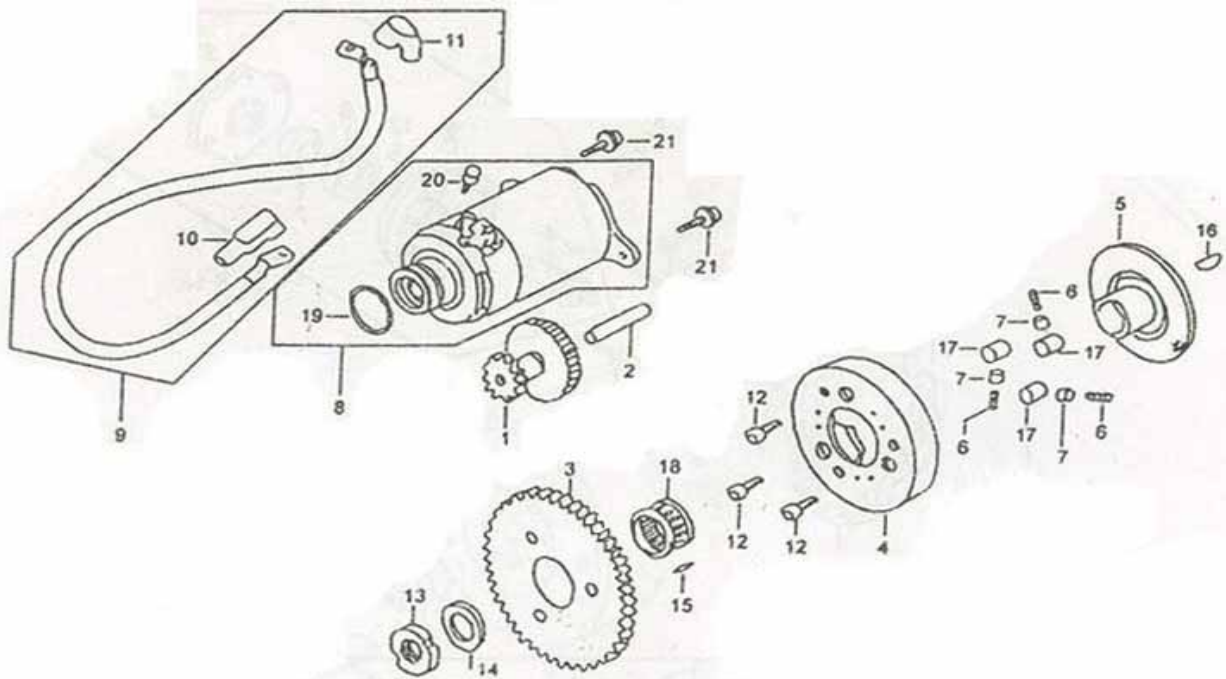
Generator

RefNo.	Part No.		Chinese Description	English Description	Q'ty
1	111101-001	191000-09		PANCOMP COOLING	1
2	111000-037	nincs		GENERAATOR ASSY A.C.	1
3	111100-025	191000-13		FLYWHEEL COMP	1
4	111200-108	191000-14		STATOK COMP	1
5	906150-016	191000-11	12	WASHER FLANGE 12	1
6	906175-010	191000-16	M5x12	BOLT M5x12	2
7	906161-015	191000-12	M12	VULT M12	1
8	906104-121	191000-10	M6x18	BOLTED FLANGE M6x18	4
9	906104-122	191000-15	M6x20	BOLTED FLANGE M6x20	2



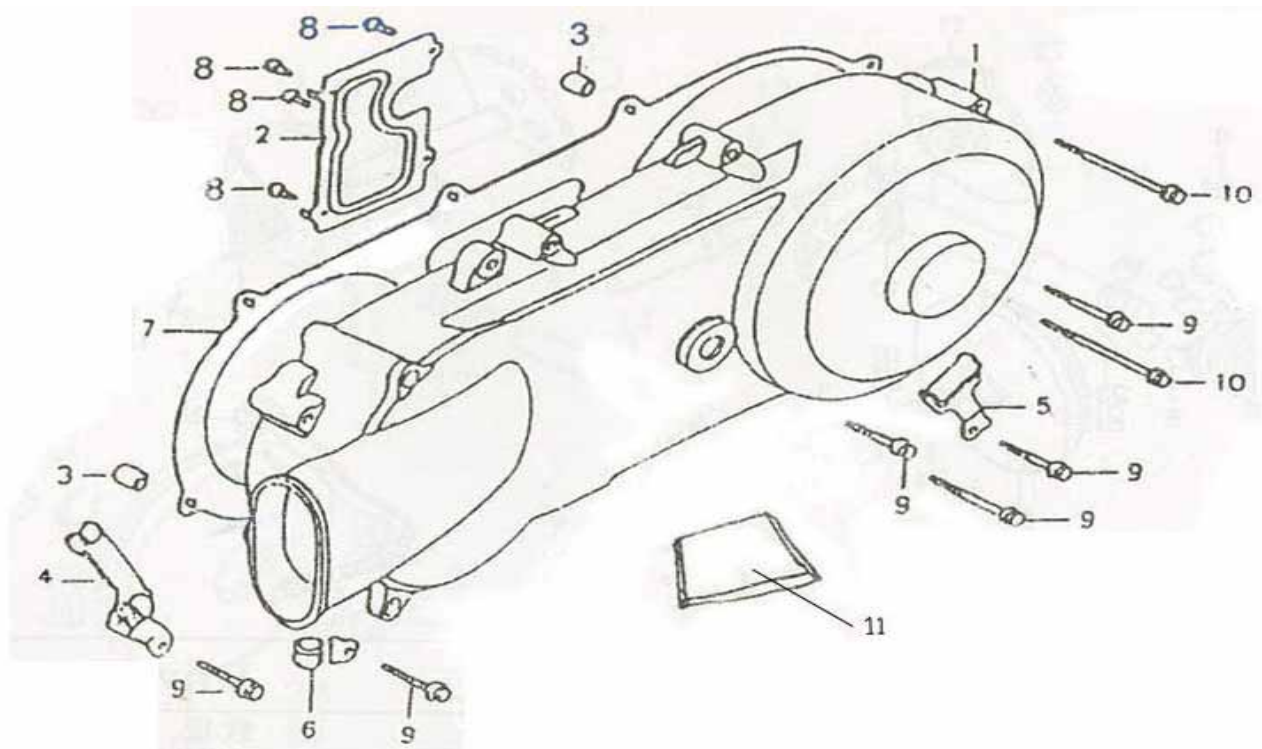
Oil Pump

RefNo.	Part No.		Chinese Description	English Description	Q'ty
1	105110-028	151000-05		PUMPASSY OIL	1
2	105111-001	komplett		BODY OIL PUMP	1
3	105117-001	komplett		PLATE OIL PUMP	1
4	105102-002	komplett		SHAFT OIL PUMP	1
5	105101-005	151000-03		SPROCKE TOIL PUMP DRIVEN	1
6	105109-001	151000-01		CHAIN OIL PUMP	1
7	105112-001	komplett		ROTOR OIL PUMP INNER	1
8	105113-001	komplett		ROTOR OIL PUMP OUTER	1
9	105119-001	151000-02		SEPARTOR OIL	1
10	906175-011	komplett	M3x10	SCREW PAN M3x10	1
11	906161-016	151000-04	M6	NUT M6	1
12	906184-003	komplett	4x6.5	PIN DOWEL 4x6.5	1
13	906104-115	151000-06	M6x12	BOLTED FLANGE M6x12	2
14	906104-112	151000-07	M6x25	BOLTED FLANGE M6x25	2



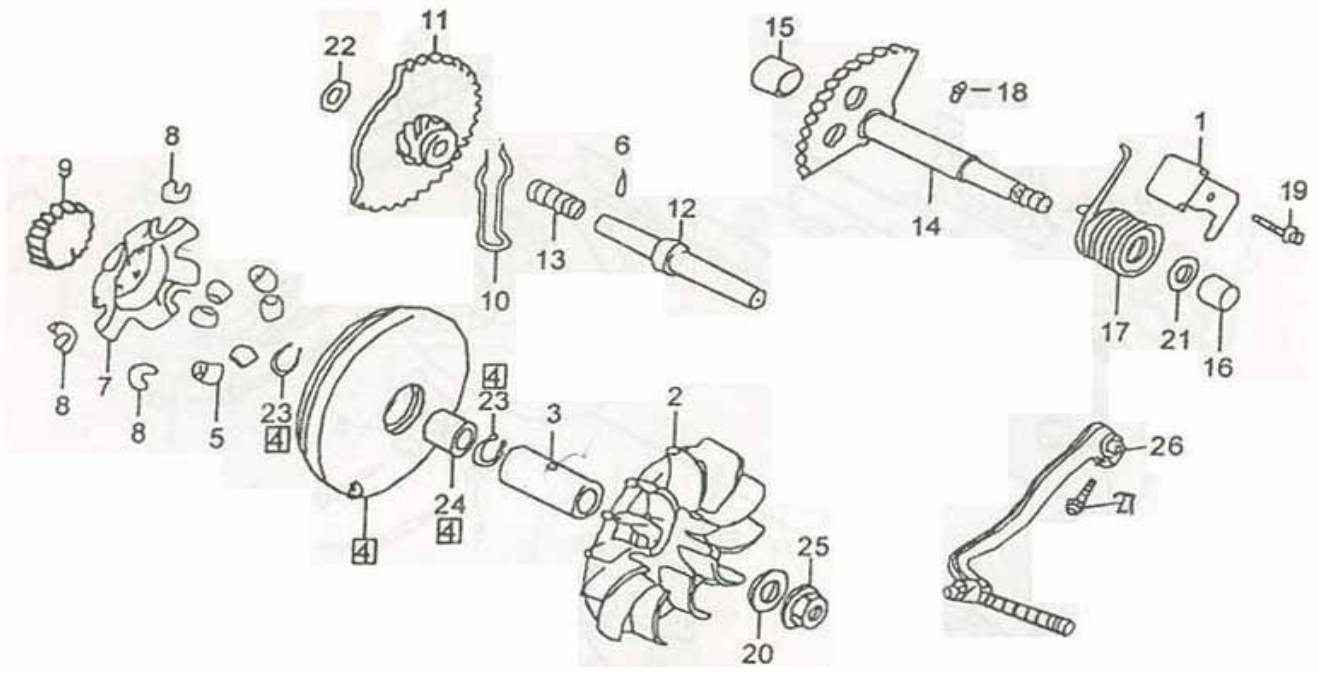
Starting Motor

RefNo.	Part No.		Chinese Description	English Description	Q'ty
1	109231-002	190000-02		GEAR STAER EDUCTION	1
2	109221-002	190000-03		SHAFT STARTER REDUCTION GEAR	1
3	109211-003	komplett		GEAR COMP STARTING CLUTCH	1
4	109112-001	komplett		OUTER COMP STARTING	1
5	109111-001	komplett		FLANGE STARTING CLUTCH	1
6	109101-001	komplett		PRING STARTING CLUTCH ROLLER	3
7	109102-001	komplett		CAP STARING CLUTCH ROLLER SP	3
8	112000-106	190000-01		MOTOR ASSY STARTER	1
9	112001-007	nindítóval együ		CABLE STARTER MOTOR	1
10	906175-012	komplett	M5x8	SCREW PAN M5x8	1
12	906105-003	komplett	M6x12	BOLT SOCKET M6x12	3
13	906162-010	171000-04	M22x1	NUT LOCK M22x1	1
14	906150-017	171000-03	18x31x1	WASHER THRUST 18x31x1	1
15	906184-004	komplett	5x6	PIN DOWEL 5x6	1
16	109104-001	171000-02		KEY WOODRUFF	1
17	109114-001	komplett	10x10	ROLLER 10x10	3
18	212211-003	komplett	28x37x17	BEARING NEEDLE 28x37x17	1
19	112004-002	komplett	O	O-RINB	1
20	906175-012	komplett	M5x8	SCREW PAN M5x8	1
21	906104-123	190000-04	M6x16	BOLTED FLANGE M6x16	1



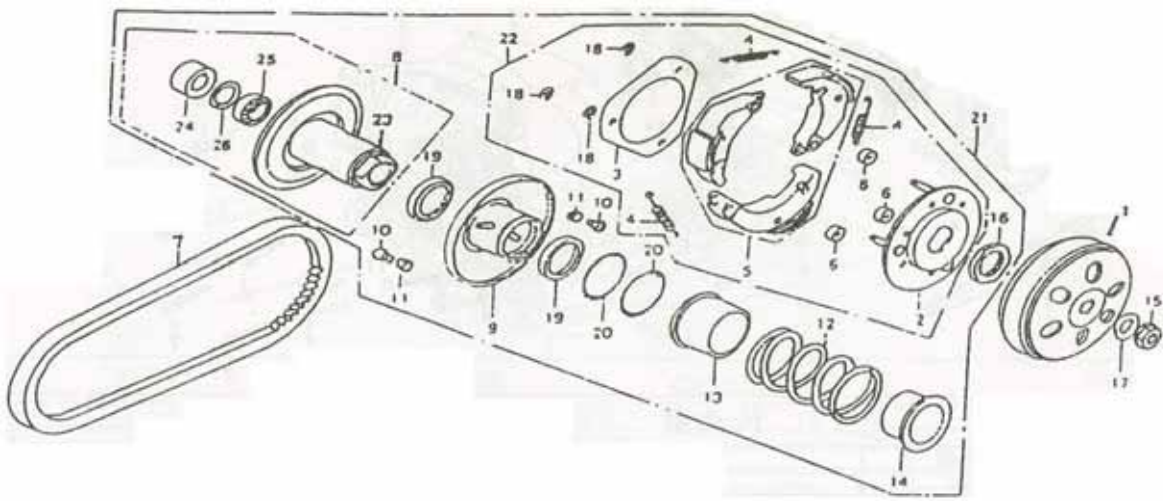
Left Crankcase Cover

RefNo.	Part No.		Chinese Description	English Description	Q'ty
1	101301-218	116000-01		LEFT CRANKCASE COVER	1
2	101322-001	nincs		PLATEL COVER	1
3	906184-002	116000-03	8x14	PIN DOWEL 8x14	2
4	101323-001	116000-14		CLAMPER THROTTLE CABLE	1
5	101324-001	116000-16		CLAMPER BRAKE TUBE	1
6	101114-005	116000-06		CLAMPER BREATHER DRAIN TUBE	1
7	101304-013	116000-02		LEFT CRANKCASE COVER WASHER	1
8	906176-032	nincs	ST4x8	SCREW PAN ST4x8	4
9	906104-124	116000-07	M6x40	BOLTED FLANGE M6x40	6
10	906104-126	116000-10	M6x65	BOLTED FLANGE M6x65	2
11	101325-001	nincs		REAR BRAKE TREED	1



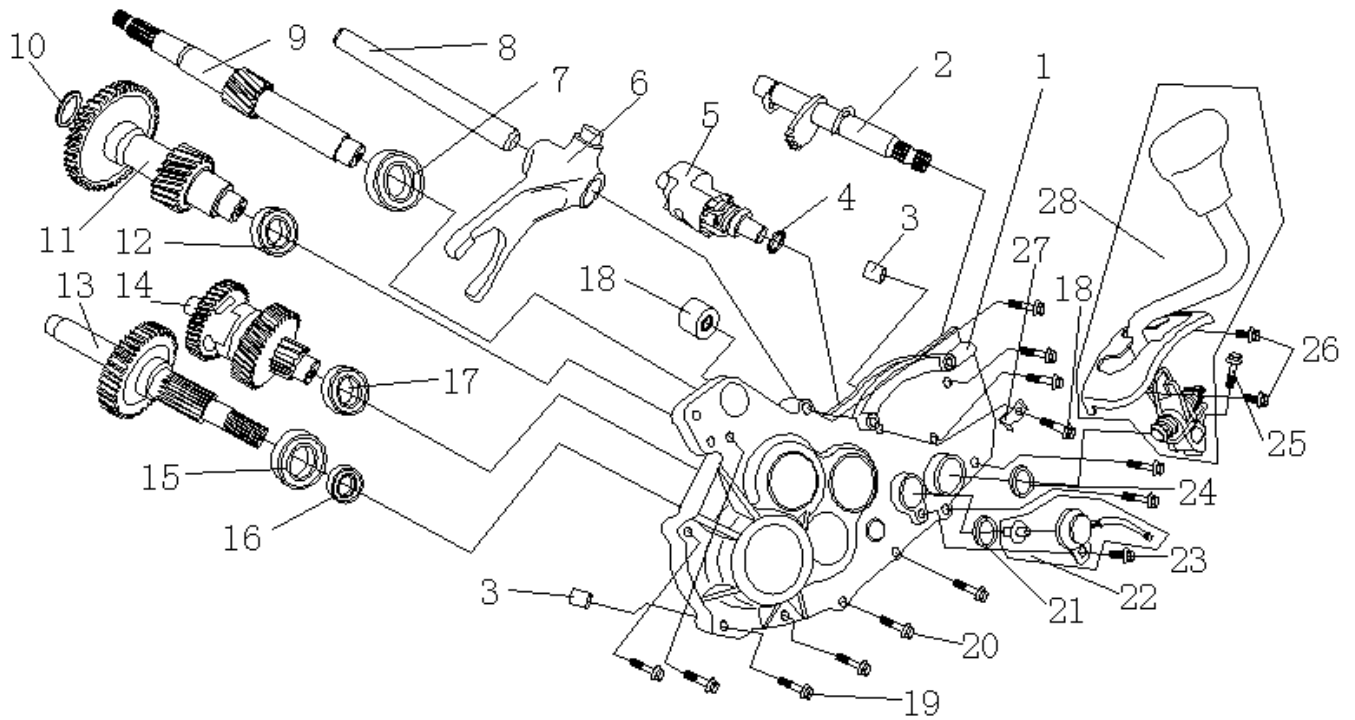
Drive Pulley

RefNo.	Part No.		Chinese Description	English Description	Q'ty
1	109315-001	181000-02		PLAE KIKKRE TURNSTOPPER	1
2	109316-001	163000-01		FACE DRIVE	1
3	109317-001	163000-01		BOSS DRIVE FACE	1
4	109318-001	163000-01		FACE COMP MOVABLE DRIVE	1
5	109319-001	163000-01		ROLLER SETWEIGHT	6
6	109323-001		3x8.5	ROLLER 3x8.5	1
7	109324-001	163000-01		PLATE RAMP	1
8	109325-001	163000-01		PLECE SLIDE	3
9	107121-001	181000-01		GEAR KICK DDRIVEN	1
10	109306-004	181000-11		SPPING STARTER GEAR FRICTION	1
11	109326-001	181000-10		GEAR COMP STARTER IDLE	1
12	109327-001	181000-13		SHAFT STARTER IDLE	1
13	109328-001	181000-12		SPRINIE STARTER IDLE	1
14	109300-017	181000-05		SPRINIE COMP KICK STARTER	1
15	109329-002	181000-04	12x16x12	BUSH 12x16x12	1
16	109329-001	181000-09		BUSH KICK SPINLE	1
17	109304-001	181000-07		SPRING KICK STARTER	1
18	109331-001	181000-06	4.5mm	PINSPECIAL 4.5mm	1
19	906104-125	181000-03	M6x14	BOLTED FLANGE M6x14	1
20	906150-018	163000-02	12	WASHER 12	1
21	906150-020	181000-08	14	WASHER 14	1
22	906150-019		12.5	WASHER 12.5	1
23	109332-001	163000-01	28mm	CIR CLIP 28mm	2
24	109329-003	163000-01	28	COLLAR DRIVE FACE	1
25	906161-015	163000-03	M12	NUT M12	1
26	109400-027	116000-12		ARM ASSY KICK STARTER	1
27	906104-114	116000-13	M6x22	BOLTED FLANGE M6x22	1



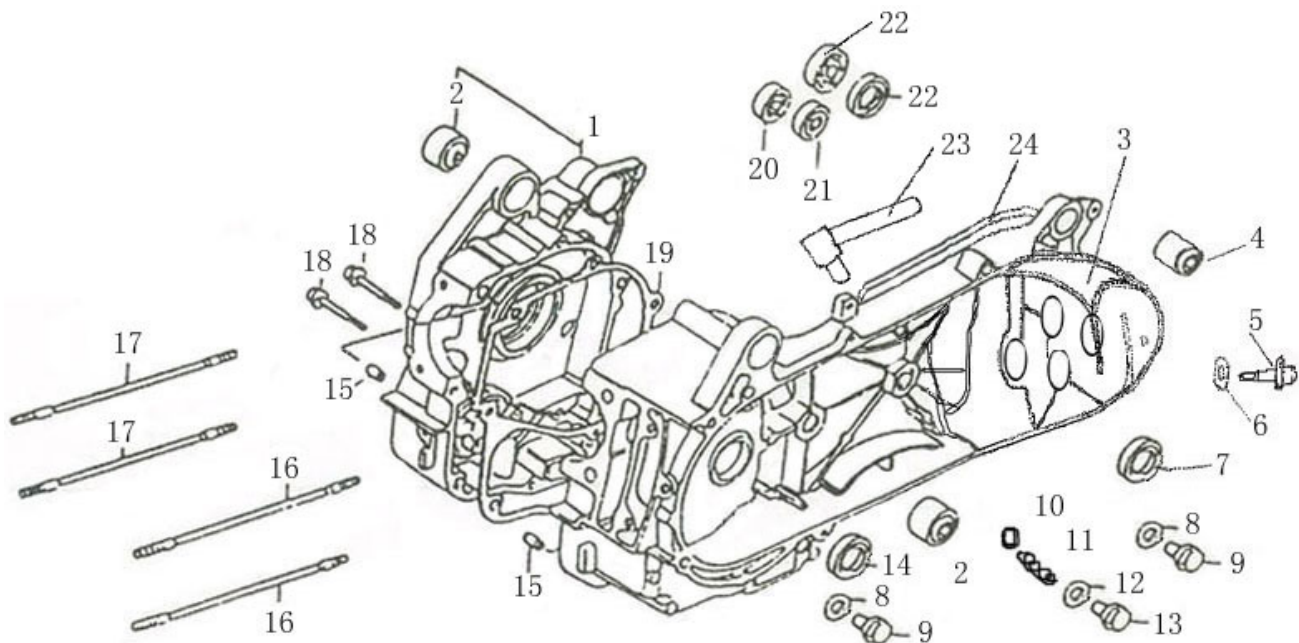
Driven Pulley

RefNo.	Part No.		Chinese Description	English Description	Q'ty
1	106262-003	komplett		OUTER CLUTCH	1
2	106211-001	komplett		PLATE COMP DRIVE	1
3	106212-001	komplett		PLATE CLUTCH SIDE	1
4	106247-006	komplett		SPRING CLUTCH	3
5	106271-001	komplett		WEICH SET CLUTCH	1
6	106263-001	komplett		RUBBER CLUTCH	3
7	106005-002	166000-01		BELT DIVE	1
8	106030-001	komplett		FACE ASSY DRIVEN	1
9	106031-001	komplett		FACE COMP MOVABLE DRIVEN	1
10	106032-001	komplett		PIN ROLLER GUIDE	3
11	106033-001	komplett		ROLLER GUIDE	3
12	106034-001	komplett		SPRING DRIVEN PACE	1
13	106035-001	komplett		COLLAR SEAL	1
14	106036-001	komplett		COLLAR SPRING	1
15	906161-015	163000-03	M12	NUT M12	1
16	906161-017	komplett	M28	NUT M28	1
17	906150-018	163000-02	12	WASHER 12	1
18	106006-001	komplett	7mm	CIR CLIP 7mm	3
19	106037-001	komplett	34x41x4	SEAL DRIVEN PACE 34x41x4	2
20	106038-001	komplett	O	O-RING PINILN CAP	2
21	106040-001	163000-04		PULLEY ASSY DRIVEN	1
22	106041-001	komplett		PLATE ASSY DRIVEN	1
23	106042-001	komplett		FACE COMP DRIVEN	1
24	212211-004	komplett		BEARING MEEDLE	1
25	902012-014	komplett	6902U	BEARING BALL REDLAL6906U	1
26	106043-001	komplett	28mm	CIR CLIP IN 28mm	1



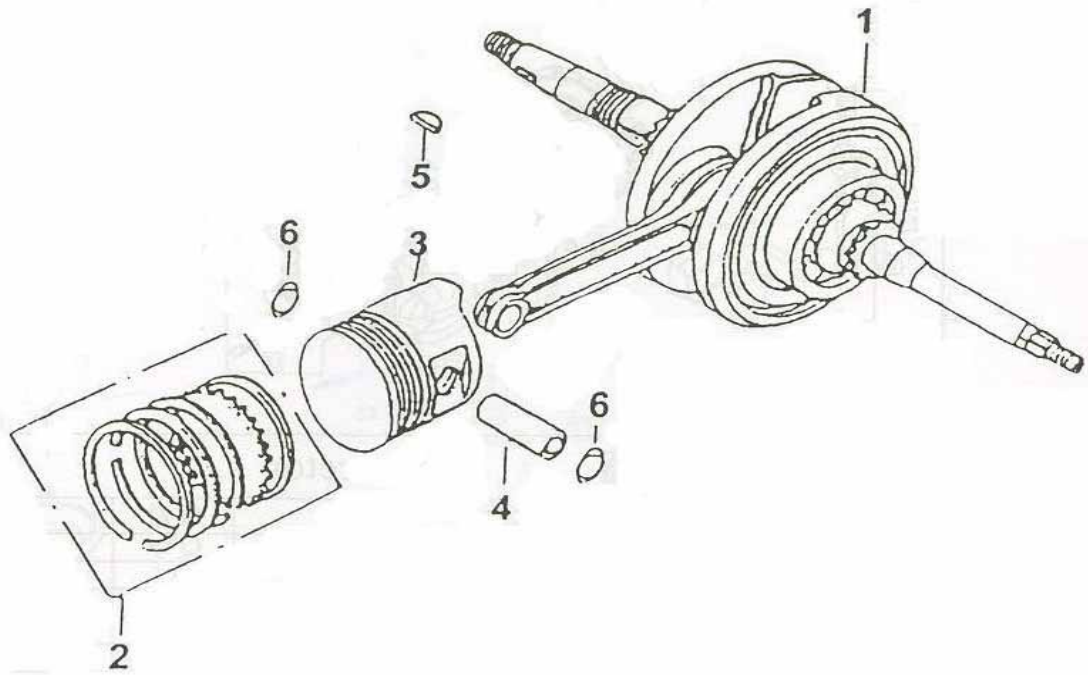
Transmi ssi on

RefNo.	Part No.		Chinese Description	English Description	Q'ty
1	107308-001	115000-01		COVER MISSION ASSY	1
2	108200-019	161000-09		CHANGE WAY AXES ASSY	1
3	906184-002	115000-09	8x14	PIN DOWEL 8x14	2
4	906150-021	115000-02	14x24x1	WASHER DRAIN PLUG 14x24x1	1
5	108110-036	161000-08		CHANGE WAY DRUM ASSY	1
6	108121-003	161000-06		CHANGE WAY FORK	1
7	902012-012	115000-07	6203	BEARING RADLAL BALL 6203	1
8	108126-005	161000-07		CHANGE WAY AXES	1
9	107311-001	161000-01		SHAFT DRIVE	1
10	906150-022	161000-04	17x26x2	WASHER DRAIN PLUG 17x26x2	1
11	107312-001	161000-03		MIDDLE AXES ASSY	1
12	902012-015	115000-03	6202	BEARING RADLAL BALL 6202	1
13	107360-002	161000-02		SHAFT FINAL ASSY	1
14	107340-004	161000-05		CHANGE WAY GEAR ASSY	1
15	101233-003	115000-05	32x52x7	OIL SEAL 32x52x7	1
16	902012-021	115000-04	6205RS	BEARING RADLAL BALL 6205RS	1
17	902012-011	115000-06	6004	BEARING RADLAL BALL 6004	1
18	101225-002			BUSH RR CUSHION UNDER BUBBE	1
19	906104-120		M6x40	BOLTED FLANGE M6x40	2
20	906104-175		M6x35	BOLTED FLANGE M6x35	10
21	101233-004	115000-14	14x22x5	OIL SEAL 14x22x5	1
22	113202-006			CHANGE WAY SWITCH	1
23	906104-115		M6x12	BOLTED FLANGE M6x12	1
24	101233-005	115000-15	14x26x6	OIL SEAL 14x26x6	1
25	906104-112		M6x25	BOLTED FLANGE M6x25	1
26	906104-125		M6x14	BOLTED FLANGE M6x14	2
27	101321-001	115000-12		CLAMPER ELECTRICAL WIRE	1
28	107314-001	115000-16		CHANGE WAY POLE ASSY	1



Crankcase

RefNo.	Part No.		Chinese Description	English Description	Q'ty
1	101220-095	112000-010		CRANKCASE ASSY R	1
2	101223-001	111000-02		BUSH ENGINE HANGER RUBBER	2
3	101140-263	111000-01R		CRANKCASE ASSY L	1
4	101225-001	111000-03		BUSH RR CUSHION UNDER BUBBE	1
5	107235-001	111000-20		BOLT SPECIAL	1
6	906150-050	111000-19	8	WASHER 8	1
7	107230-011	111000-17	20x32x6	OIL SEAL 20x32x6	1
8	101206-002	111000-21		BOLT DRAINPLUG	2
9	906150-018	111000-22	12	WASHER DRAIN PLUG 12	2
10	101137-001	111000-12	9.5	GO TO STEEL BALL 9.5	1
11	101138-001	111000-10		GO TO BOLT SPRING	1
12	101139-001	111000-11		GO TO BOLT WASHER	1
13	101120-001	111000-09		GO TO BOLT	1
14	101233-001	111000-16	19.8x30x5	OIL SEAL 19.8x30x5	1
15	906184-002	112000-04	8x14	PIN DOWEL 8x14	2
16	101104-013	nincs	M8x187.5	BOLT STUD M8x187.5	2
17	101103-014	111000-15	M8x195.5	BOLT STUD M8x195.5	2
18	906104-127	112000-06	M6x50	BOLTED FLANGE M6x50	2
19	101101-018	112000-03		GASKET CRANKCASE	1
20	902012-003	111000-04	6204	BEARING RADLAL BALL 6204	1
21	902012-015	111000-07	6202	BEARING RADLAL BALL 6202	1
22	902012-012	111000-05	6203	BEARING RADLAL BALL 6203	2
23	101202-009			TUBE BREATHER	1
24	101134-001			GASKET MISSION COVER	1



Cr

Crankshaft Pi ston

RefNo.	Part No.		Chinese Description	English Description	Q'ty
1	103200-069	131000-02		CRANKSHAFT COMP	1
2	103120-029	132000-01		RING SET PISTON (STD)	1
3	103101-036	132000-02		PISTON (STD)	1
4	103102-015	132000-03		PIN PISTON	1
5	103203-006	131000-01	25x14x4	KEY WOODRUFF 25x14x4	1
6	103103-011	132000-04		CLIP PISTON PIN	2